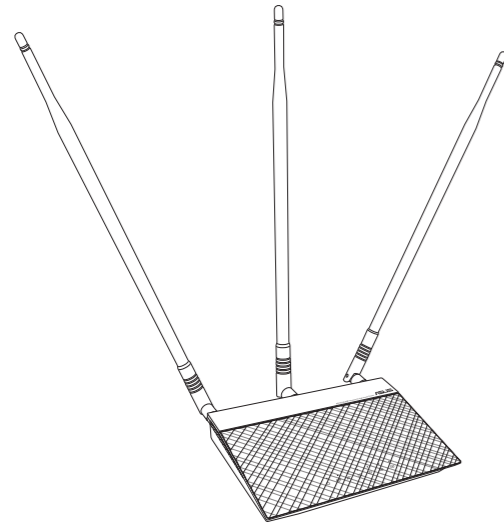




# RT-N14UHP

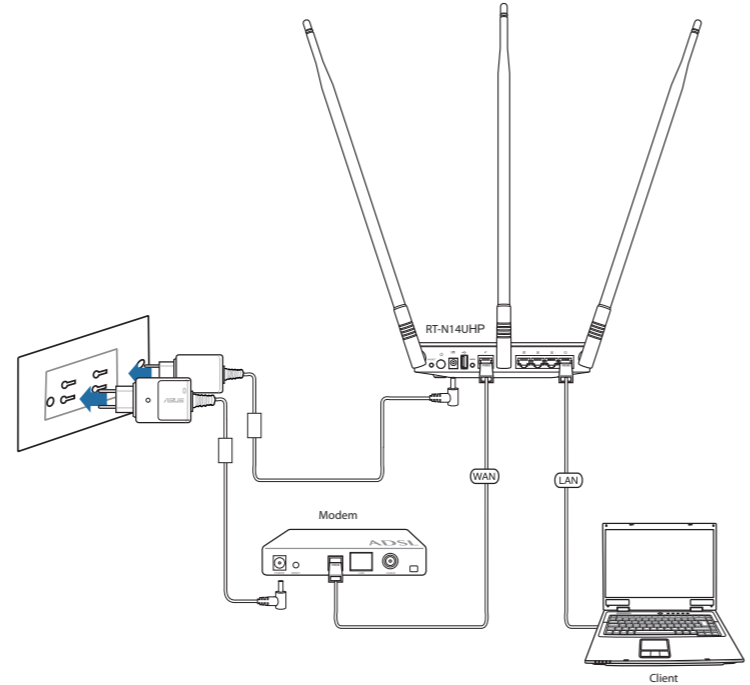
## High Power Router/AP/Range Extender



### Quick Start Guide

# Setting up a Home Network

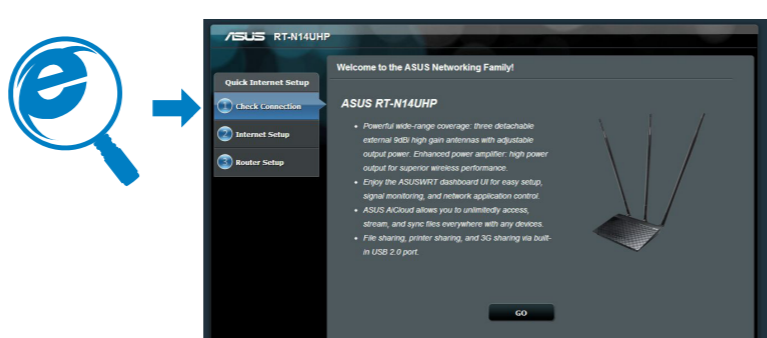
## 1. Connect your devices.



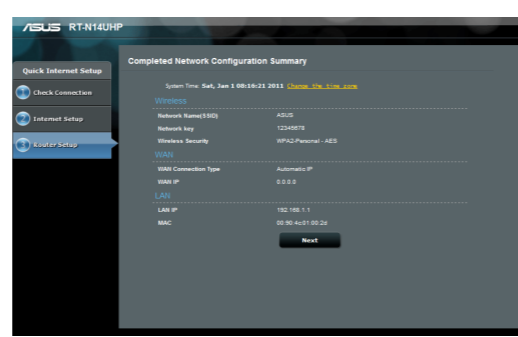
For best performance please use middle wireless channel such as channel 6 or 7, and angle the antennas as shown in the picture above. The outside antennas should be angled roughly 45 degrees away from the central, vertical antenna.

為了讓RT-N14UHP無線分享器能展現出最佳效能，建議您使用中間頻道，例如：頻道6 or 7，並讓天線角度如上方圖片中呈現方式：相對於中央垂直的天線，將外面兩側天線以45度角方式擺放

## 2. Launch the web browser and follow the Quick Internet Setup (QIS) steps.



## 3. Setup is completed.



### Français

1. Connectez les périphériques.
2. Lancez votre navigateur Web puis suivez les étapes du gestionnaire de configuration rapide d'Internet en ligne (QIS).
3. La configuration est terminée.

### Italiano

1. Collegare le periferiche.
2. Avviare il browser web e seguire la procedura QIS (Quick Internet Setup).
3. La configurazione è stata completata.

### Português do Brasil

1. Conecte seus dispositivos.
2. Lance o navegador da web e siga os passos do Quick Internet Setup (QIS).
3. A instalação foi concluída.

### Česky

1. Připojte zařízení.
2. Spusťte webový prohlížeč a postupujte podle kroků Rychlého nastavení Internetu (QIS).
3. Instalace je dokončena.

### Nederlands

1. Sluit uw apparaten aan.
2. Start de webbrowser en volg de QIS-stappen (Quick Internet Setup (snelle internetinstelling)).
3. De instelling is voltooid.

### Suomi

1. Kytke laitteet.
2. Käynnistä verkkoselain ja noudata QIS-asennuksen vaiheita.
3. Asennus on valmis.

### Magyar

1. Csatlakoztassa az eszközöket.
2. Indítsa el a webböngészőt, és kövesse a gyors internetes beállítás (QIS) lépéseit.
3. A beállítás befejeződött.

### Latviski

1. Savienojiet savas ierīces.
2. Palaidiet tīmekļa pārlūku un izpildiet Quick Internet Setup (Ātrās interneta palaišanas) (QIS) soļus.
3. Iestatīšana ir pabeigta.

### Bahasa Malaysia

1. Sambungkan peranti anda.
2. Lancarkan penyemak imbas web dan ikut langkah-langkah Persediaan Internet Pantas (QIS).
3. Persediaan selesai.

### Polski

1. Podłącz swoje urządzenia.
2. Uruchom przeglądarkę internetową i postępuj zgodnie z poleceniami Szybkiej konfiguracji Internetu (QIS).
3. Konfiguracja została zakończona.

### Română

1. Conectați dispozitivele dvs.
2. Lansați browser-ul web și urmați pașii de Conectare Rapidă la Internet (QIS).
3. Conectarea este finalizată.

### Español

1. Conecte sus dispositivos.
2. Abra su explorador web y siga los pasos indicados por la función Quick Internet Setup rápida de Internet.
3. Ha finalizado la configuración.

### ไทย

1. เชื่อมต่ออุปกรณ์ของคุณ
2. เปิดเว็บเบราว์เซอร์ และทำตามขั้นตอน การตั้งค่าอินเทอร์เน็ตด่วน (QIS)
3. การตั้งค่าเสร็จสมบูรณ์

### Українська

1. Підключіть пристрої.
2. Запустіть браузер і дотримуйтесь інструкцій для Швидкого з'єднання з мережею Інтернет (QIS).
3. Налаштування завершено.

### 繁體中文

1. 連接裝置。
2. 開啟網頁瀏覽器並按照快速網際網路設定 (QIS) 的步驟操作。
3. 設定完成。

### Deutsch

1. Schließen Sie Ihre Geräte an.
2. Starten sie einen Web-Browser und folgen sie den Internet-Schnelleinstellungsschritten (QIS).
3. Die Einrichtung ist fertig.

### Русский

1. Подключите ваши устройства.
2. Запустите браузер и следуйте инструкциям быстрого подключения к Интернету (QIS).
3. Установка завершена.

### Български

1. Свържете устройствата.
2. Стартирайте уеб браузъра и следвайте стъпките в Quick Internet Setup (QIS) (Бързи интернет настройки).
3. Конфигурирането приключи.

### Dansk

1. Tilslut enhederne.
2. Start webbrowseren og følg quick-internetopsætning (QIS) trinene.
3. Opsætning fuldført.

### Eesti

1. Ühendage seadmed.
2. Käivitage veebibrauser ja järgige viisardi Quick Internet Setup (Interneti-ühenduse kiirhäälestus (QIS)) samme.
3. Häälestus on lõpule viidud.

### Ελληνικά

1. Συνδέστε τις συσκευές σας.
2. Εκκινήστε το πρόγραμμα πλοήγησης στο διαδίκτυο και ακολουθήστε τα βήματα της Γρήγορης Εγκατάστασης Internet (QIS).
3. Η εγκατάσταση έχει ολοκληρωθεί.

### Bahasa Indonesia

1. Sambungkan perangkat.
2. Aktifkan browser Web, kemudian ikuti langkah-langkah Quick Internet Setup (QIS).
3. Konfigurasi selesai.

### Lietuvių

1. Prijunkite prietaisus.
2. Paleiskite interneto naršyklę ir vadovaukitės greitos internetinės sąrankos (QIS) nuorodomis.
3. Sąranka baigta.

### Norsk

1. Koble til enhetene dine.
2. Start nettleseren og følg trinnene til Quick Internet Setup (QIS) (Rask oppsett av Internet).
3. Oppsettet er ferdig.

### Português

1. Ligue os dispositivos.
2. Abra o browser da web e siga as instruções para configuração rápida da Internet.
3. A configuração fica assim concluída.

### Slovensky

1. Pripojte svoje zariadenia.
2. Spustite internetový prehliadač a postupujte podľa krokov Stručného návodu pre nastavenie internetu (QIS).
3. Nastavenie je dokončené.

### Svenska

1. Anslut dina enheter.
2. Öppna webbläsaren och följ stegen i QIS (snabb Internet-inställning).
3. Inställningen slutförd.

### Türkçe

1. Aygıtlarınızı bağlayın.
2. Web tarayıcınızı açın ve Quick Internet Setup (Hızlı İnternet Kurulumu) (QIS) adımlarını izleyin.
3. Kurulum tamamlanır.

### 简体中文

1. 连接装置。
2. 开启网页浏览器并按照快速网际网络设定 (QIS) 的步驟操作。
3. 设置完成。

## Notices

### ASUS Recycling/Takeback Services

ASUS recycling and takeback programs come from our commitment to the highest standards for protecting our environment. We believe in providing solutions for you to be able to responsibly recycle our products, batteries, other components, as well as the packaging materials. Please go to <http://csr.asus.com/english/Takeback.htm> for the detailed recycling information in different regions.

### REACH

Complying with the REACH (Registration, Evaluation, Authorisation, and Restriction of Chemicals) regulatory framework, we published the chemical substances in our products at ASUS REACH website at <http://csr.asus.com/english/REACH.htm>

### Federal Communications Commission Statement

This device complies with Part 15 of the FCC Rules. Operation is subject to the following two conditions:

- This device may not cause harmful interference.
- This device must accept any interference received, including interference that may cause undesired operation.

This equipment has been tested and found to comply with the limits for a class B digital device, pursuant to part 15 of the FCC Rules. These limits are designed to provide reasonable protection against harmful interference in a residential installation.

This equipment generates, uses and can radiate radio frequency energy and, if not installed and used in accordance with the instructions, may cause harmful interference to radio communications. However, there is no guarantee that interference will not occur in a particular installation. If this equipment does cause harmful interference to radio or television reception, which can be determined by turning the equipment off and on, the user is encouraged to try to correct the interference by one or more of the following measures:

- Reorient or relocate the receiving antenna.
- Increase the separation between the equipment and receiver.
- Connect the equipment into an outlet on a circuit different from that to which the receiver is connected.
- Consult the dealer or an experienced radio/TV technician for help.



**WARNING:** Any changes or modifications not expressly approved by the party responsible for compliance could void the user's authority to operate the equipment.

### Prohibition of Co-location

This device and its antenna(s) must not be co-located or operating in conjunction with any other antenna or transmitter.

### Safety Information

To maintain compliance with FCC's RF exposure guidelines, this equipment should be installed and operated with minimum distance 20cm between the radiator and your body. Use on the supplied antenna.

### Declaration of Conformity for R&TTE directive 1999/5/EC

Essential requirements – Article 3

Protection requirements for health and safety – Article 3.1a

Testing for electric safety according to EN 60950-1 has been conducted. These are considered relevant and sufficient.

Protection requirements for electromagnetic compatibility – Article 3.1b

Testing for electromagnetic compatibility according to EN 301 489-1 and EN 301 489-17 has been conducted. These are considered relevant and sufficient.

Effective use of the radio spectrum – Article 3.2

Testing for radio test suites according to EN 300 328 has been conducted. These are considered relevant and sufficient.

### CE Mark Warning

This is a Class B product, in a domestic environment, this product may cause radio interference, in which case the user may be required to take adequate measures.

Operation Channels: Ch1~11 for N. America, Ch1~14 Japan, Ch1~13 Europe (ETSI)

### NCC Warning

經型式認證合格之低功率射頻電機，非經許可，公司、商號或使用者均不得擅自變更頻率、加大功率或變更原設計之特性及功能。

低功率射頻電機之使用不得影響飛航安全及干擾合法通信；經發現有干擾現象時，應立即停用，並改善至無干擾時方得繼續使用。

前項合法通信，指依電信法規定作業之無線電通信。

低功率射頻電機須忍受合法通信或工業、科學及醫療用電波輻射性電機設備之干擾。

### REACH

Complying with the REACH (Registration, Evaluation, Authorisation, and Restriction of Chemicals) regulatory framework, we published the chemical substances in our products at ASUS REACH website at <http://csr.asus.com/english/REACH.htm>.



電子信息產品污染控制標示：圖中之數字為產品之環保使用期限。僅指電子信息產品中含有的有毒有害物質或元素不致發生外洩或突變從而對環境造成污染或對人身、財產造成嚴重損害的期限。

部件名稱	有害物質或元素					
	鉛 (Pb)	汞 (Hg)	鎘 (Cd)	六價鉻 (Cr(VI))	多溴聯苯 (PBB)	多溴二苯醚 (PBDE)
印刷電路板及其電子組件	×	○	○	○	○	○
外殼	×	○	○	○	○	○
電源適配器	×	○	○	○	○	○
外部信號連接頭及線材	×	○	○	○	○	○
中央處理器與內存	×	○	○	○	○	○

- ：表示該有毒有害物質在該部件所有均質材料中的含量均在 SJ/T 11363-2006 標準規定的限量要求以下。  
×：表示該有毒有害物質至少在該部件的某一均質材料中的含量超出 SJ/T 11363-2006 標準規定的限量要求，然該部件仍符合歐盟指令 2002/95/EC 的規範。

備註：此產品所標示之環保使用期限，係指在一般正常使用狀況下。

### Manufacturer

ASUSTeK Computer Inc.

Tel: +886-2-2894-3447

Address: 4F, No. 150, LI-TE RD., PEITOU, TAIPEI 112, TAIWAN

### Authorised representative in Europe

ASUS Computer GmbH

Address: HARKORT STR. 21-23, 40880 RATINGEN, GERMANY

### Authorised distributors in Turkey

BOGAZICI BIL GISAYAR SAN. VE TIC. A.S.

Tel: +90 212 3311000

Address: AYAZAGA MAH. KEMERBURGAZ CAD. NO.10 AYAZAGA/ISTANBUL

CIZGI Elektronik San. Tic. Ltd. Sti.

Tel: 0090 2123567070

Address: CEMAL SURURI CD. HALIM MERIC IS MERKEZI No:15/C D: 5-6 34394

MECIDIYEKÖY/ISTANBUL

AEEE Yönetmeliğine Uygundur.



### Networks Global Hotline Information

Area	Hotline Number	Support Languages	Working Hour	Working Day
Australia	1300-2787-88	English	8:00-20:00	Mon. to Fri.
Austria	0043-820240513	German	9:00-18:00	Mon. to Fri.
Belgium	0032-78150231	Dutch / French	9:00-17:00	Mon. to Fri.
China	400-620-6655	Simplified Chinese	9:00-18:00	Mon. to Sun.
Denmark	0045-3832-2943	Denish/English	9:00-17:00	Mon. to Fri.
Finland	00358-9693-7969	Finnish/English/Swedish	10:00-18:00	Mon. to Fri.
France	0033-170949400	France	9:00-17:45	Mon. to Fri.
Greece	00800-44-14-20-44	Greek	9:00-13:00, 14:00-18:00	Mon. to Fri.
Hong Kong	3582-4770	Cantonese/Chinese/English	10:00-20:00 10:00-17:00	Mon. to Fri. Sat.
Ireland	0035-31890719918	English	9:00-17:00	Mon. to Fri.
Italy	199-400089	Italian	9:00-13:00 14:00-18:00	Mon. to Fri.
Japan	0800-123-2787	Japanese	9:00-18:00 9:00-17:00	Mon. to Fri. Sat. to Sun.
Malaysia	+603 2148 0827 (Check Repair Detail Status Only) +603-6279-5077	Bahasa Melayu/English	10:00-19:00	Mon. to Fri.
Netherlands / Luxembourg	0031-591-570290	Dutch / English	9:00-17:00	Mon. to Fri.
New Zealand	0800-278-788 / 0800-278-778	English	9:00-17:00	Mon. to Fri.
Norway	0047-2316-2682	Norwegian /English	9:00-17:00	Mon. to Fri.
Philippine	+632-638 8504; 180014410573	English	9:00-18:00	Mon. to Fri.
Poland	00225-718-033; 00225-718-040	Polish	9:00-17:00 8:30-17:30	Mon. to Fri.
Portugal	707-500-310	Portuguese	9:00-17:00	Mon. to Fri.
Russia	+8-800-100-ASUS; +7-495-231-1999	Russian/ English	9:00-18:00	Mon. to Fri.
Singapore	+65-6720-3835 (Check Repair Detail Status Only) -66221701	English	11:00-19:00	Mon. to Fri.
Slovak	00421-232-162-621	Czech	8:00-17:00	Mon. to Fri.
Spain	902-88-96-88	Spanish	9:00-18:00	Mon. to Fri.
Sweden	0046-8587-6940	Swedish/ English	9:00-17:00	Mon. to Fri.
Switzerland	0041-848111010 0041-848111014	German/French French	9:00-18:00 9:00-17:45	Mon. to Fri. Mon. to Fri.
Taiwan	0800-093-456; 02-81439000	Traditional Chinese	9:00-12:00; 13:30-18:00	Mon. to Fri.
Thailand	+662-679-8367 -70; 001 800 852 5201	Thai/English	9:00-18:00	Mon. to Fri.
Turkey	+90-216-524-3000	Turkish	09:00-18:00	Mon. to Fri.
United Kingdom	0044-870-1208340; 0035-31890719918	English	9:00-17:00	Mon. to Fri.
USA/Canada	1-812-282-2787	English	8:30am-12:00am EST (5:30am-9:00pm PST) 9:00am-6:00pm EST (6:00am-3:00pm PST)	Mon. to Fri. Sat. to Sun.

Visit ASUS website for more information: <http://support.asus.com>