

BiPAC 7300NX

BiPAC 7300N *RE*

(3G) / Wireless-N
ADSL2+ Firewall Router

Quick Start Guide

Declaration of Conformity ***Konformitätserklärung***

**in accordance with the Radio and Telecommunications Terminal Equipment Act (FTEG)
and Directive 1999/5/EC (R&TTE Directive)**

gemäß dem Gesetz über Funkanlagen und Telekommunikationsendeinrichtungen (FTEG)
und der Richtlinie 1999/5/EG (R&TTE)

The Manufacturer:

Billion Electric Co., Ltd.

Hersteller:

***8F, No. 192, Sec. 2, Chung Hsing Rd.,
Hsin Tien City, Taipei Hsien
Taiwan, R.O.C.***

declares that the product:

BiPAC 7300NX, BiPAC 7300N RE

erklärt, dass das Produkt:

***Radio equipment
Funkanlage***

Intended purpose:

(3G)/Wireless-N ADSL2+ Firewall Router

Verwendungszweck:

complies with the essential requirements of §3 and the other relevant provisions of the FTEG (Article 3 of the R&TTE Directive), when used for its intended purpose.

bei bestimmungsgemäßer Verwendung den grundlegenden Anforderungen des § 3 und den übrigen einschlägigen Bestimmungen des FTEG (Artikel 3 der R&TTE) entspricht.

Harmonised standards: Health and Safety requirements contained in §3 (1) 1. (Article 3 (1) a)

Harmonisierte Normen: Gesundheit und Sicherheit gemäß §3 (1) 1. (Artikel 3 (1) a))

EN 60950-1: 2006+A11: 2009

Harmonised standards: Protection requirements with respect to EMC §3 (1) 2, (Article 3 (1) b)

Harmonisierte Normen: Schutzanforderungen in Bezug auf die EMV §3 (1) 2, Artikel 3 (1) b))

EN 55022:2006+A1 2007 classB, EN 55024:1998+A1 :2001+A2:2003

EN 61000-3-2: 2006, EN 61000-3-3: 1995+A1: 2001+A2: 2006,

EN 301 489-17 V1.3.2, EN 301 489-1 V1.8.1, EN 300 386 V1.4.1:2008

Harmonised standards: Measures for the efficient use of the radio frequency spectrum

Harmonisierte Normen: Maßnahmen zur effizienten Nutzung des Funkfrequenzspektrums

ETSI EN 300 328 V1.7.1:2006

Interface specification: Air interface of the radio systems pursuant to § 3(2) (Article 3(2))

Schnittstellenspezifikation: Luftschnittstelle bei Funkanlagen gemäß § 3(2) (Artikel 3(2))

2.412-2.472 GHz

This declaration is issued by:

Diese Erklärung wird verantwortlich abgegeben durch:

LONDON

(Place)

21 Apr 2011

(Date)



Edward Kung

Managing Director

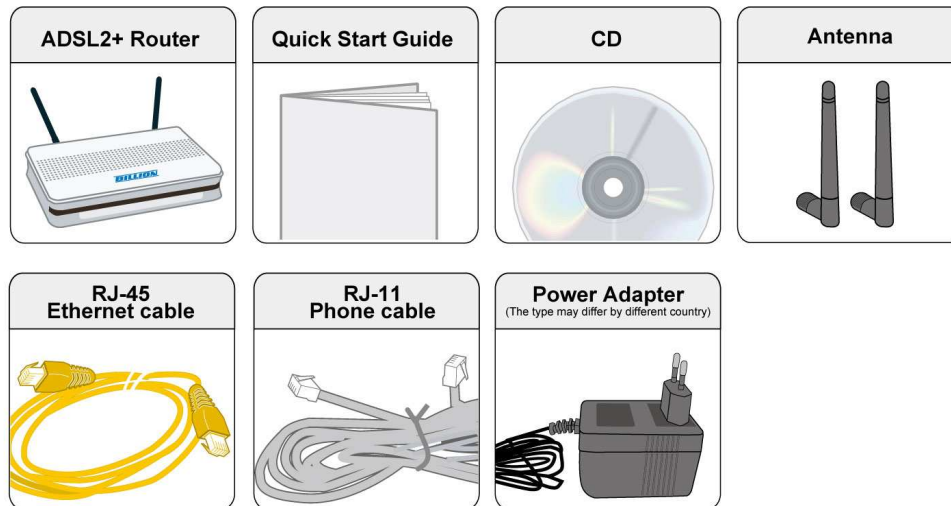
Etec Components Ltd.



PLEASE READ THE QUICK START GUIDE AND FOLLOW THE STEPS CAREFULLY. THIS QUICK START GUIDE WILL HELP YOU INSTALL THE DEVICE PROPERLY AND AVOID IMPROPER USAGE. IF YOU NEED MORE INFORMATION ON THIS SOFTWARE CONFIGURATION, PLEASE REFER TO THE USER MANUAL ON CD-ROM.

Package Contents

- BiPAC 7300NX, 7300N RE (3G) / Wireless-N ADSL2+ Firewall Router
- CD containing the on-line manual and QSG
- RJ-11 ADSL/ telephone cable
- Ethernet (RJ-45) cable
- Two 2dBi detachable antennas
- Power adapter
- Quick Start Guide
- Splitter/ Micro-filter (Optional)



Warning

- Do not use the router in high humidity or high temperatures.
- Do not use the same power source for the router as other equipment.
- Do not open or repair the case yourself. If the router is too hot, turn off the power immediately and have it repaired at a qualified service center.
- Avoid using this product and all accessories outdoors.

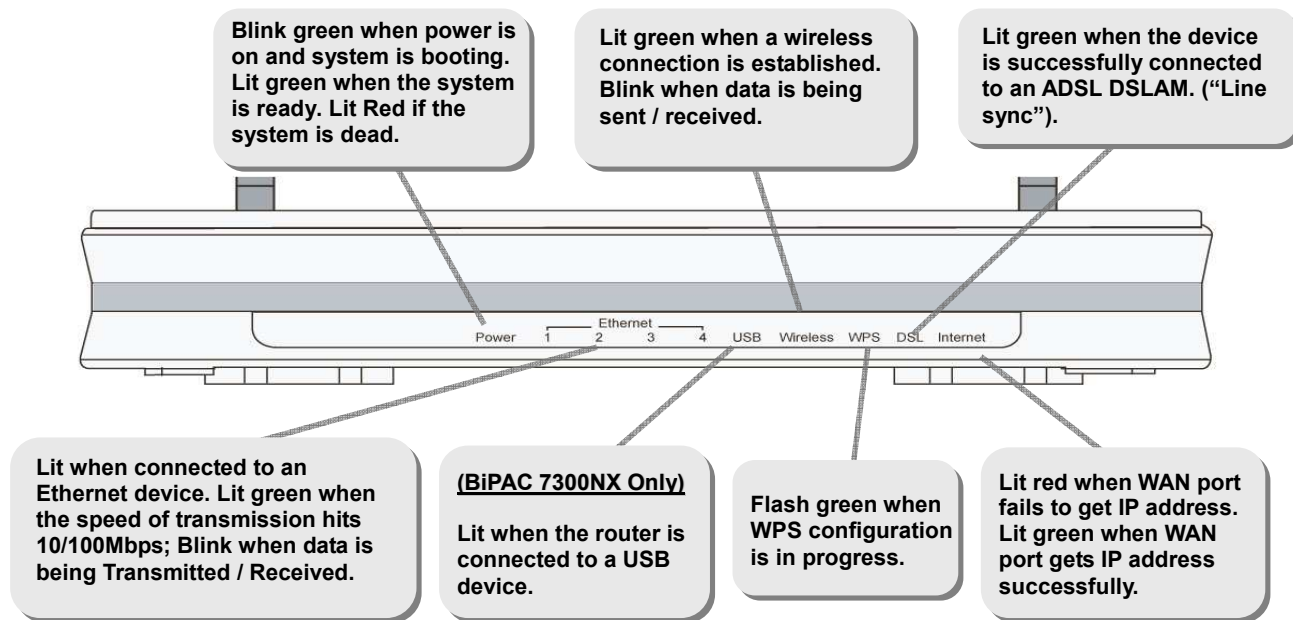


Attention

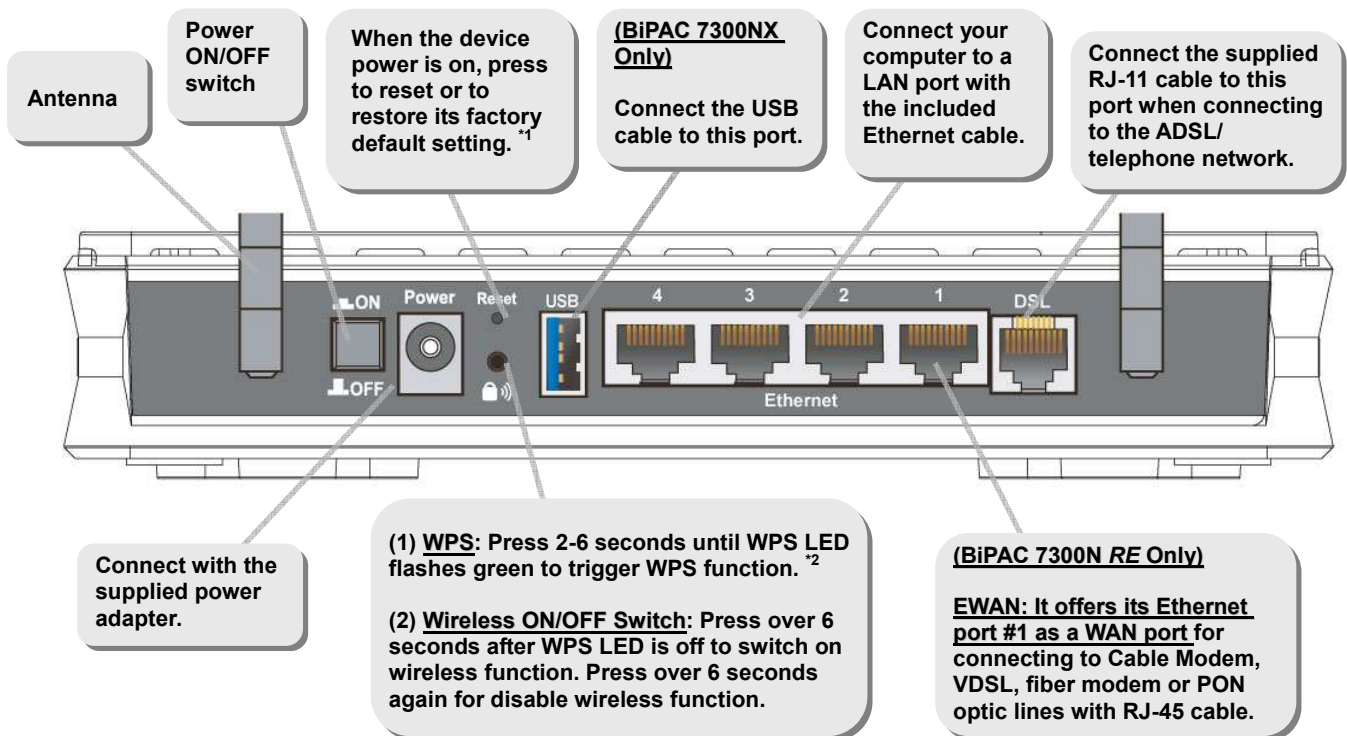
- Place the router on a stable surface.
- Only use the power adapter that comes with the package. Using a different voltage rating power adaptor may damage the router.

Hardware Overview

The Front LEDs



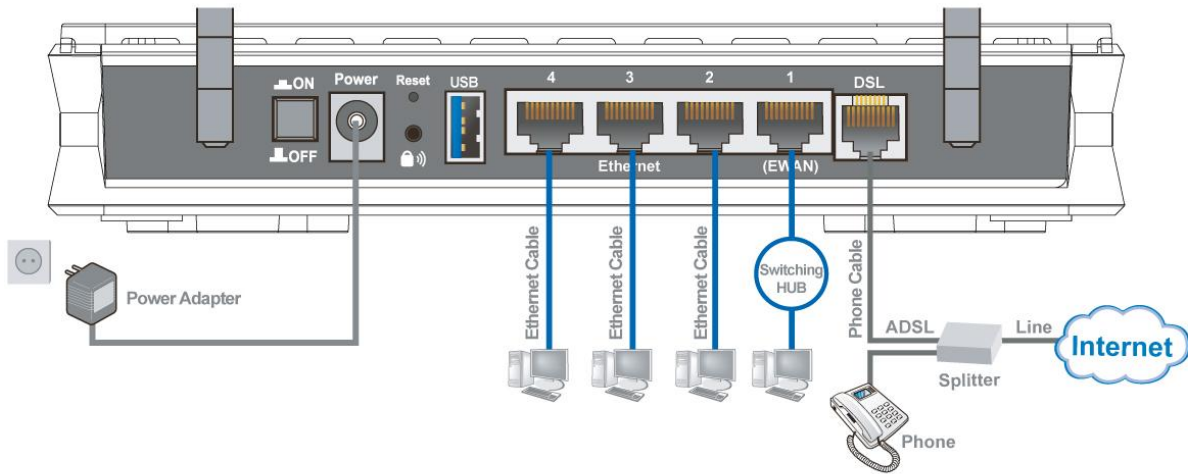
The Rear Ports



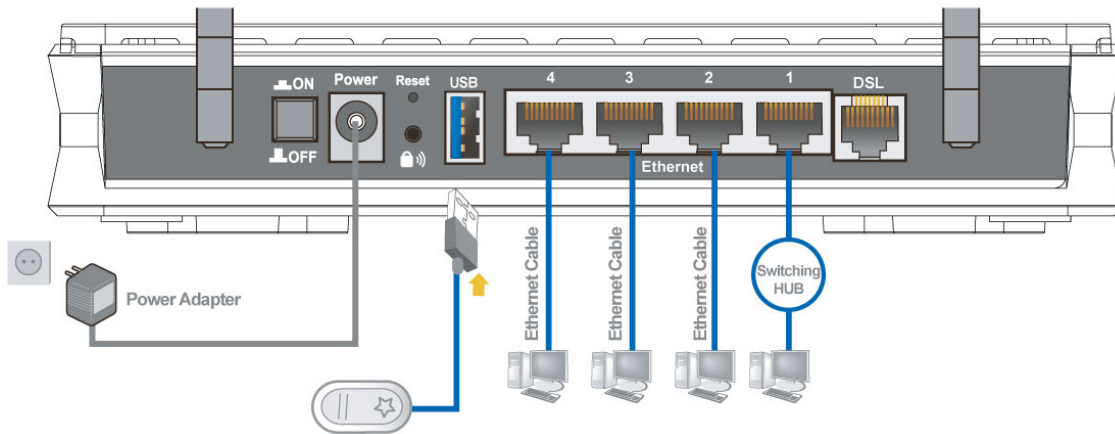
* Note 1. For advanced reset and restore setting, please refer to user manual.
2. For WPS configuration, please refer to the WPS section of user manual.

Hardware Connection

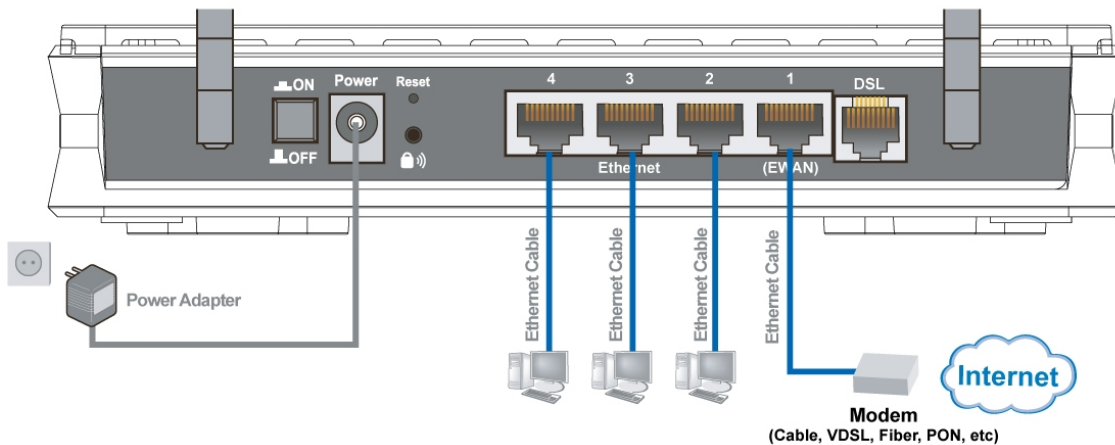
ADSL Router Mode(USB connection is only for 7300NX)



BiPAC 7300NX – 3G Router Mode



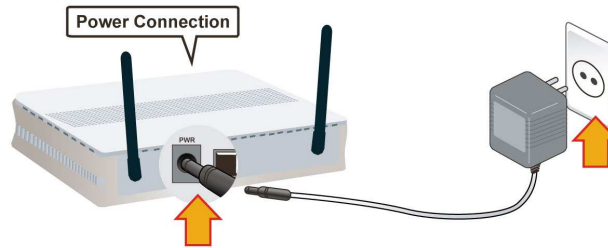
BiPAC 7300N RE – Broadband Router Mode



Hardware Installation

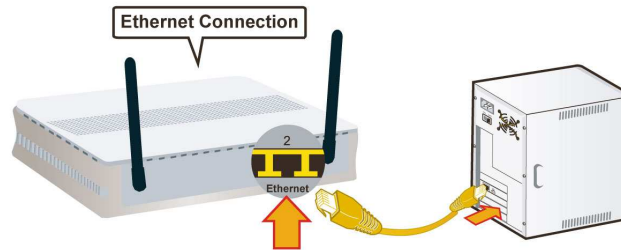
1. Power Connection

Plug the supplied power adapter to the wall jack and the other side to the router. Please note that the plug type may differ according to country.



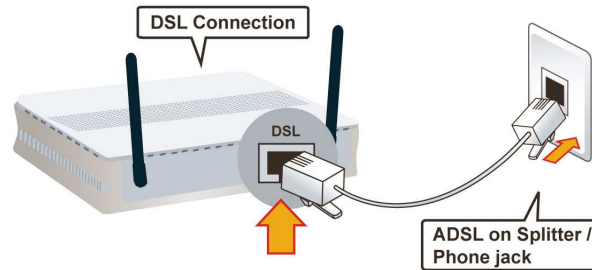
2. LAN Connection

Connect the supplied RJ-45 Ethernet cable to one of the Ethernet ports, and the other side to the PC's Ethernet interface.



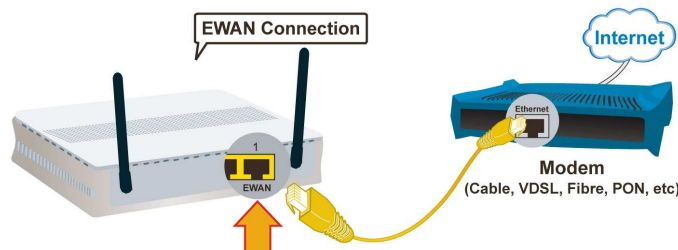
3. ADSL Connection

Connect the supplied RJ-11 phone cable to the router's ADSL port, and the other side to the phone jack on the wall.



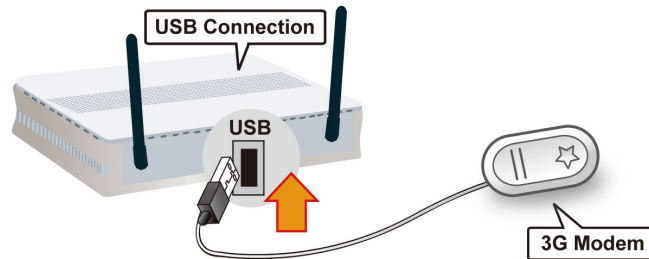
4. EWAN Connection (BiPAC 7300N RE only)

Connect RJ-45 Ethernet cable to the **Ethernet port # 1 (EWAN)**, and connect the other side to another alternative broadband device, such as Cable Modem, VDSL, Fiber Modem or PON optic lines. Please refer to User Manual for detail instruction.



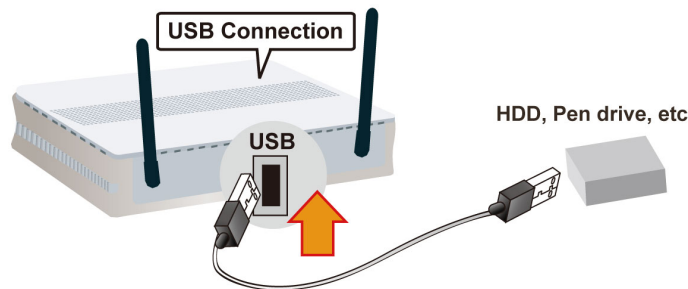
5. USB Connection (BiPAC 7300NX only)

The USB 2.0 port supports 3G/ HSDPA modem connectivity: users can conveniently access Internet via 3G, eliminating the limitations of the wired network. This solution also employs an auto fail-over feature to ensure always-on connectivity for SOHO users. (Note: For compatible 3G USB modems, please refer to <http://www.billion.com/compatible-3G.html> for updated list.)



6. USB Storage (BiPAC 7300NX only)

Storage feature through USB 2.0 port: FTP server, samba server

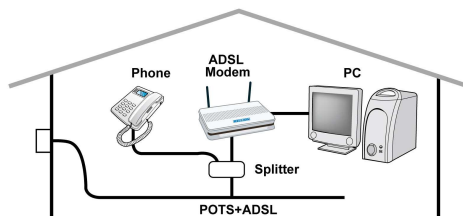


7. Splitter/ Micro-filter Connection

Splitter / Micro-filter are important for ADSL installation. High-frequency signals are directed to the ADSL modem, and low-frequency signals are directed to the telephone or other analog voice-channel device to prevent inter-modulation distortion and also to get good speed and stable ADSL sync rate.

a) Splitter connection

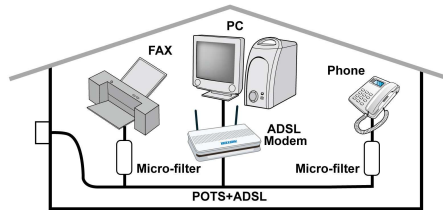
If the installation has only a single telephone and a single ADSL modem, then a splitter can be employed.



Quick Start Guide

b) Micro-filter connection

If the installation has several telephones or other analog devices, then an internal micro-filter can be employed at each analog device.



Easy Sign-On

Make sure power on the device, Ethernet cable is connected to your PC and ADSL line is in sync. Then open up a web browser and you will automatically be directed to the step-by-step easy sign on configuration wizard which will guide you to complete the basic network configuration to connect to the internet.

Connecting to the Router

1. Open the web browser and type <http://192.168.1.254> in the browser's address box. This number is the default IP address for this router. Press **Enter**.
2. A username and password window will appear. The default **username is "admin"**, **password is "admin"**. Press **OK** to proceed.
3. You will get a status report web page and main menu screen.

Please see the relevant sections of user manual for detailed instructions on how to configure your router.

Troubleshooting

1. **None of the LEDs are on when you turn on the router.**
Check the connection between the adapter and the router. If the error persists, you may have a hardware problem. In this case you should contact technical support.
2. **Can't ping any PCs on the LAN.**
Check the Ethernet LEDs on the front panel. The LED should be on for a port that has a PC connected. If it is off, check the cables between your router and the PC. Make sure you have uninstalled any software firewall for troubleshooting. Verify that the IP address and the subnet mask are consistent between the router and the workstations.
3. **Frequent loss of ADSL line sync (disconnections).**
Ensure that all other devices connected to the same telephone line as your router (e.g. telephones, fax machines, analogue modems) have a line filter connected between them and the wall socket (unless you are using a Central Splitter or Central Filter installed by a qualified and licensed electrician), and ensure that all line filters are correctly installed and the right way around. Missing line filters or line filters installed the wrong way around can cause problems with your ADSL connection, including causing frequent disconnections. If you have a back-to-base alarm system you should contact your security provider for a technician to make any necessary changes.

Product Support and Contact Information

Most problems can be solved by referring to the **Troubleshooting** section in the User Manual. If you cannot resolve the problem with the **Troubleshooting** chapter, please contact the dealer where you purchased this product.

Contact Billion

WORLDWIDE

<http://www.billion.com>