



Cisco Edge 300 Series Switch Installation Guide

- [About this Guide, page 1](#)
- [Box Contents, page 2](#)
- [Overview, page 3](#)
- [Installing the Switch, page 6](#)
- [Powering on the Switch, page 15](#)
- [Restoring the Factory Settings, page 15](#)
- [Technical Specifications, page 15](#)
- [Obtaining Documentation and Submitting a Service Request, page 16](#)

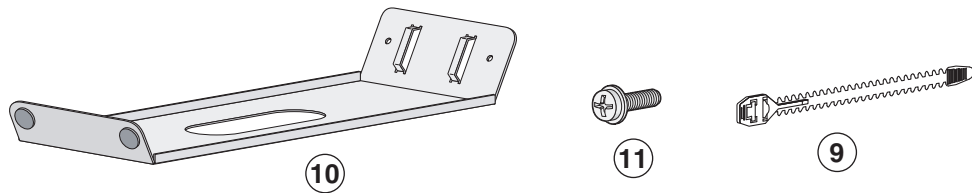
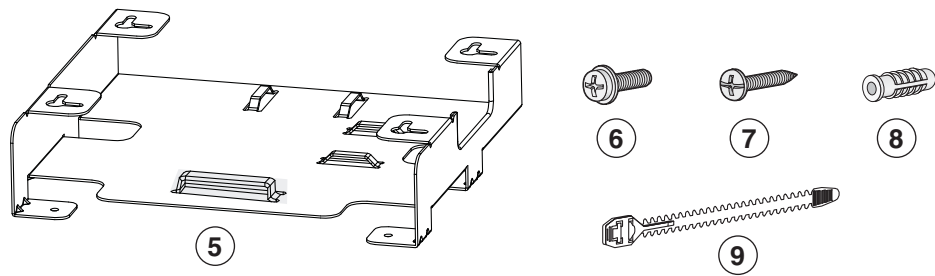
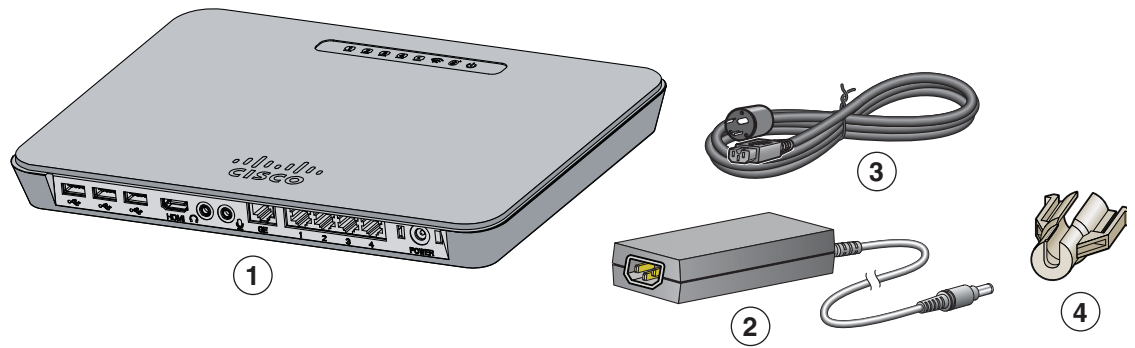
About this Guide

This guide describes how to install the Cisco Edge 300 series switch on a wall or desktop and describes the LEDs and ports.

For configuration information, see the Cisco Edge 300 series switch documentation on Cisco.com. For system requirements, important notes, limitations, open and resolved bugs, and documentation updates, see the release notes on Cisco.com.



Box Contents



1	Cisco Edge 300 series switch	7	Four M3.5 x 16-mm Phillips head tapping screws ¹
2	Power adapter	8	Four plastic drywall anchors ¹
3	Power cord	9	Cable tie ^{1, 2}
4	Power cord retainer ^{1, 2}	10	Desktop bracket ²
5	Wall-mount bracket ¹	11	Two M3.0 x 6-mm Phillips pan head screws ²
6	Four M3.0 x 6-mm Phillips pan head screws ¹		

1. These parts are included in the wall-mount kit (ACC-E300-WALL).

2. These parts are included in the desktop kit (ACC-E300-DESK).



Note

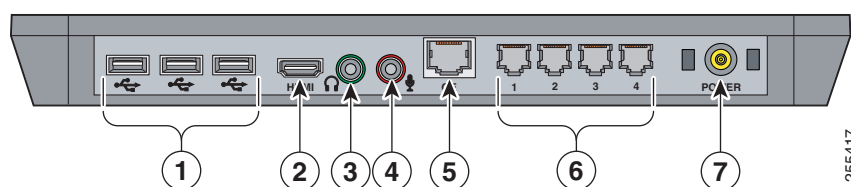
Verify that you have received these items. If any item is missing or damaged, contact your Cisco representative or reseller.

Overview

Table 1 Cisco Edge 300 Series Models

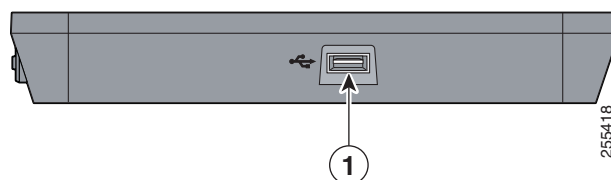
Model	Description
CS-E300-AP-K9	Cisco Edge 300 series switch with WiFi and Bluetooth
CS-E300-K9	Cisco Edge 300 series switch
HS-E300-AP-K9	HSJC/Cisco Edge 300 series switch with WiFi and Bluetooth
HS-E300-K9	HSJC/Cisco Edge 300 series switch

Figure 1 Cisco Edge 300 Series Switch – Front



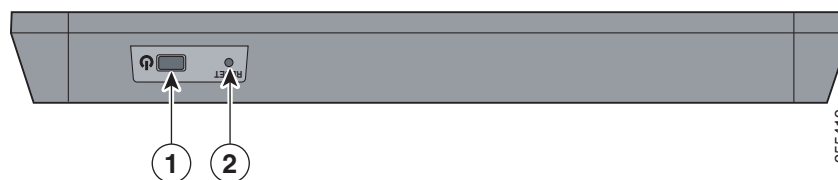
1	USB ports	5	Gigabit Ethernet (uplink) port
2	HDMI port	6	Ethernet (downlink) ports
3	Audio out port	7	Power
4	Audio in port		

Figure 2 Cisco Edge 300 Series Switch – Left



1	USB port
----------	----------

Figure 3 Cisco Edge 300 Series Switch – Rear



1	Power button	2	Reset button
----------	--------------	----------	--------------

Port Descriptions

USB

There are four USB 2.0 Type-A ports. Each USB port can provide up to 5 W of power to a connected device.

You can connect a wired USB keyboard and mouse, a wireless USB receiver for a keyboard and mouse, a USB camera, or a USB thumb drive.

HDMI

The HDMI port supports high-definition video output at 720p or 1080p.

Audio In

You can connect a microphone that uses a 3.5 mm connector.

Audio Out

You can connect headphones or external speakers that use a 3.5 mm connector.

Gigabit Ethernet

The Gigabit Ethernet uplink port provides a 10/100/1000 Mb/s connection to a Catalyst 2000 or Catalyst 3000 series switch.

Ethernet

The Fast Ethernet ports provide 10/100 Mb/s connections to computers or other devices.

Wireless Features

WiFi

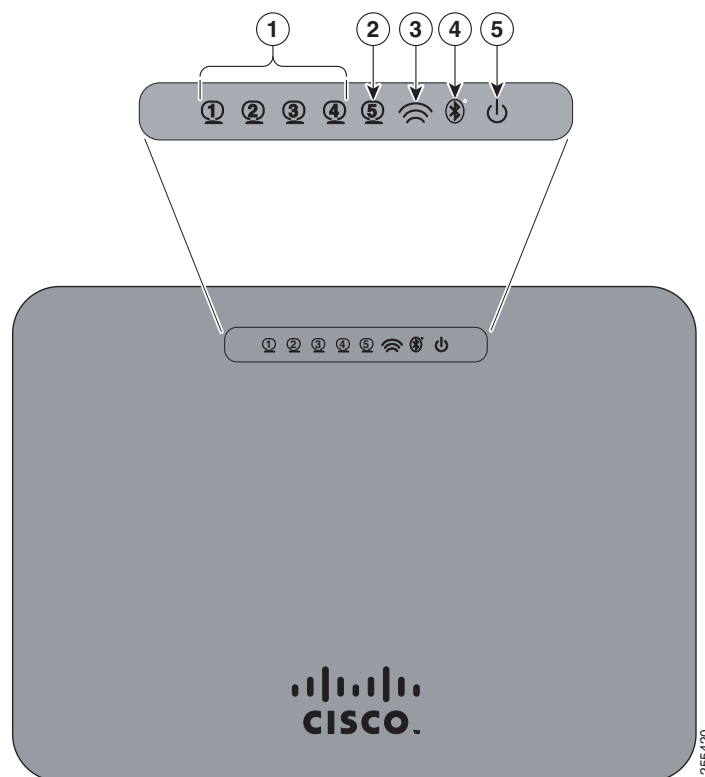
Supports 802.11b/g/n wireless clients.

Bluetooth

Supports Human Interaction Design Protocol (HIDP) for remote control or input devices.

LEDs

Figure 4 Cisco Edge 300 Series Switch LEDs



1	Ethernet downlink	4	Bluetooth ¹
2	Gigabit Ethernet uplink	5	Power
3	WiFi ¹		

1. Only CS-E300-AP-K9 and HS-E300-AP-K9.

Table 2 LEDs

LED	Color	Meaning
Ethernet downlink	Off	No link.
	Green	Link present, no activity. Port is operating at 100 Mb/s.
	Blinking green	Activity. Port is sending or receiving data at 100 Mb/s.
	Amber	Link present, no activity. Port is operating at 10 Mb/s.
	Blinking amber	Activity. Port is sending or receiving data at 10 Mb/s.
Gigabit Ethernet	Off	No link.
	Green	Link up.
	Blinking green	Activity.

Table 2 **LEDs (continued)**

LED	Color	Meaning
WiFi	Off	WiFi is disabled.
	Green	WiFi is enabled and functioning.
	Blinking green	WiFi is transmitting data.
Bluetooth	Off	Bluetooth is disabled.
	Green	Bluetooth is enabled and functioning.
Power	Off	There is no power or the self test has failed.
	Green	System is operating normally.
	Blinking green	System software is being upgraded.
	Blinking amber	System software download has failed.

Installing the Switch

You can install the switch on a wall by using the wall-mount bracket or install the switch on a desk or table by using the desktop bracket. You can also install the switch in a ventilated cabinet using the wall-mount or desktop bracket.

Equipment That You Need

- Phillips screwdriver
- Scratch awl or other sharp pointed object (wall-mount)
- Electric drill with a 6-mm drill bit (wall-mount)

Before You Begin

Before installing the switch, verify that these guidelines are met:

- Front clearance so that the LEDs can be seen.
- AC power cord reaches from the AC power outlet to the rear-panel connector.
- Cabling is away from sources of electrical noise, such as radios, power lines, and fluorescent lighting. Make sure that the cabling is safely away from other devices that might damage the cables.
- Airflow around the switch is unrestricted.
- Temperature around the unit does not exceed 104°F (40°C).
- Humidity around the switch does not exceed 85 percent.
- Altitude at the installation site is below 10,000 feet.
- For Ethernet ports, cables from the switch to connected devices are not longer than 328 feet (100 meters).

Warning Statements

Statement 1005



This product relies on the building's installation for short-circuit (overcurrent) protection. Ensure that the protective device is rated not greater than: 20A Statement 1005

Statement 1071



IMPORTANT SAFETY INSTRUCTIONS

This warning symbol means danger. You are in a situation that could cause bodily injury. Before you work on any equipment, be aware of the hazards involved with electrical circuitry and be familiar with standard practices for preventing accidents. Use the statement number provided at the end of each warning to locate its translation in the translated safety warnings that accompanied this device. Statement 1071

SAVE THESE INSTRUCTIONS

Statement 1019



The plug-socket combination must be accessible at all times, because it serves as the main disconnecting device. Statement 1019

Statement 1030



Only trained and qualified personnel should be allowed to install, replace, or service this equipment. Statement 1030

Statement 1040



Ultimate disposal of this product should be handled according to all national laws and regulations. Statement 1040

Statement 1044



For connections outside the building where the equipment is installed, the following ports must be connected through an approved network termination unit with integral circuit protection: 10/100/1000 Ethernet Statement 1044

Statement 1047



Warning

To prevent the system from overheating, do not operate it in an area that exceeds the maximum recommended ambient temperature of: **104°F (40°C)** Statement 1047

Statement 1074



Warning

Installation of the equipment must comply with local and national electrical codes. Statement 1074

Statement 1076



Warning

To prevent airflow restriction, allow clearance around the ventilation openings to be at least: **3 inches (7.6 cm)** Statement 1076



Caution

Be aware of the size and weight of the switch when mounting. Ensure that the mounting location has a stable flat surface and can safely support the weight of the switch.

Installing the Switch on a Wall

Statement 378



Warning

Read the wall-mounting instructions carefully before beginning installation. Failure to use the correct hardware or to follow the correct procedures could result in a hazardous situation to people and damage to the system. Statement 378

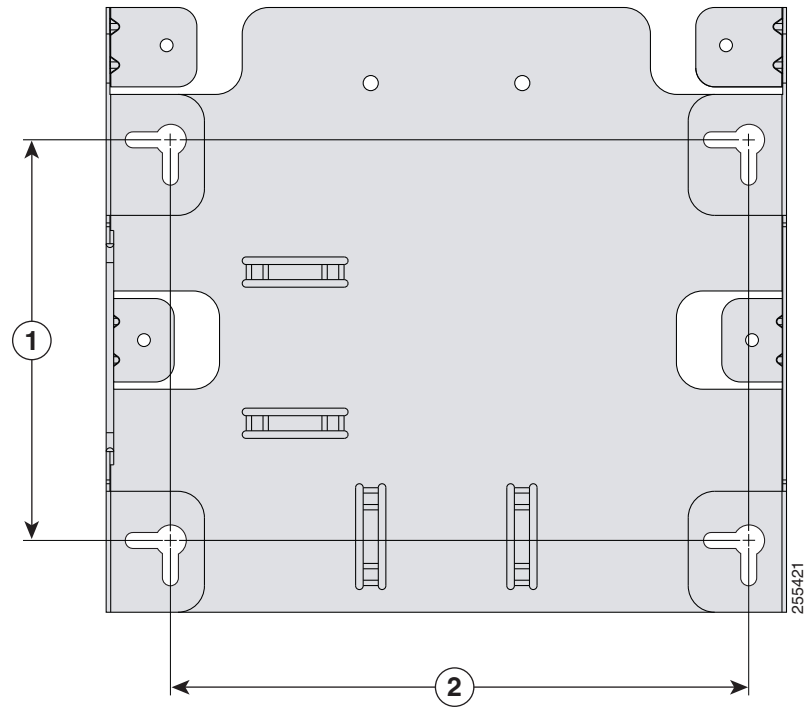
You can mount the switch horizontally or vertically on a wall.



Note

The wall-mount bracket has four slots (in two pairs) on its bottom panel (see [Figure 5](#)).

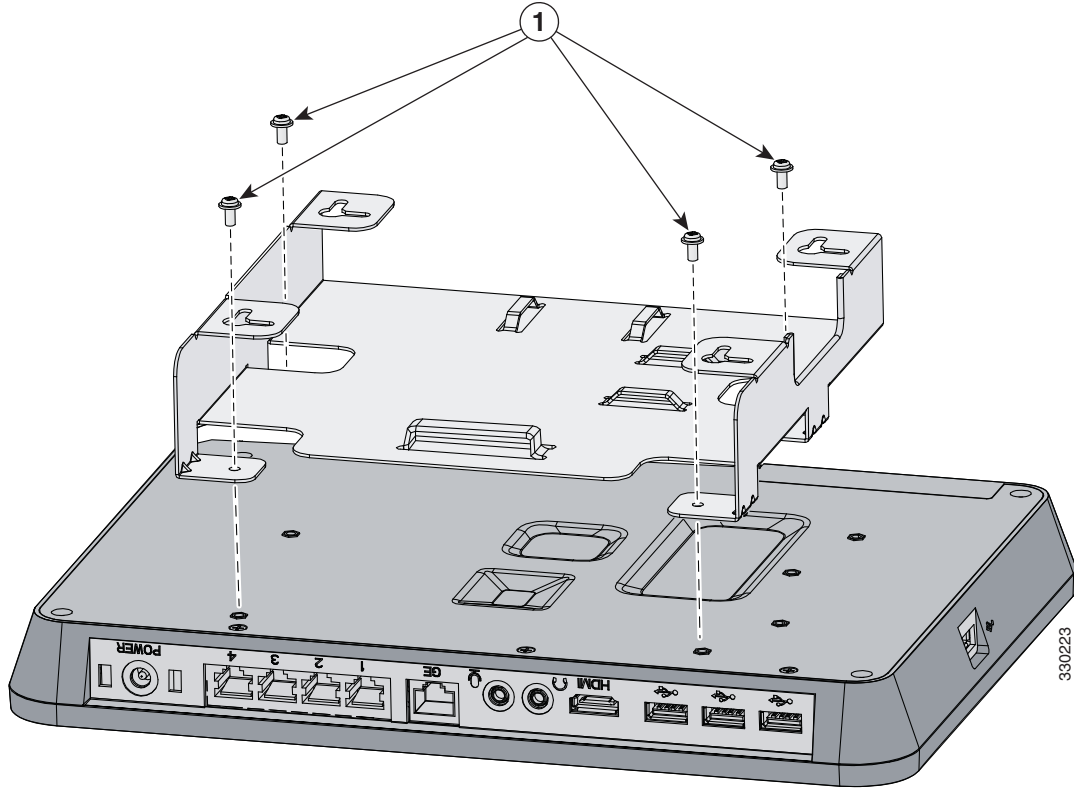
Figure 5 *Bracket Slot Distances for Wall-Mounting*



1	4.17 inches (106 mm)	2	6.02 inches (153 mm)
----------	----------------------	----------	----------------------

- Step 1** Use the four M3.0 x 6-mm Phillips pan head screws to attach the wall-mount bracket to the bottom of the switch (see [Figure 6](#)).

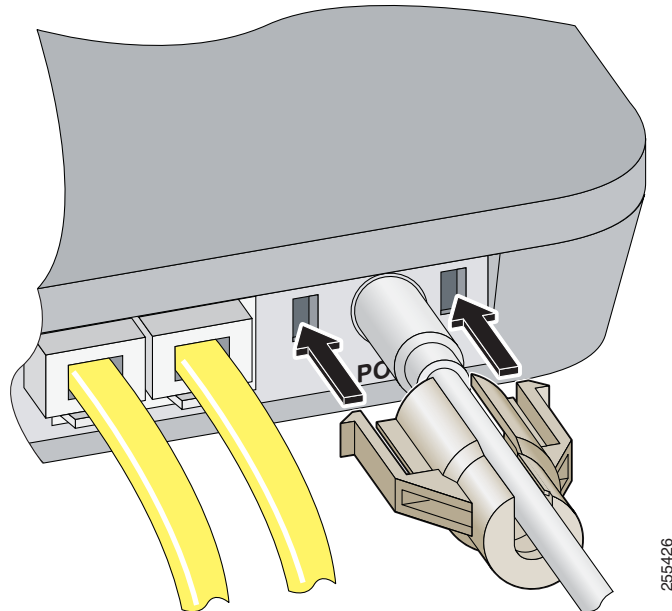
Figure 6 Attaching the Wall-Mount Bracket



- | | |
|----------|-------------------------------------|
| 1 | M3.0 x 6mm Phillips pan head screws |
|----------|-------------------------------------|

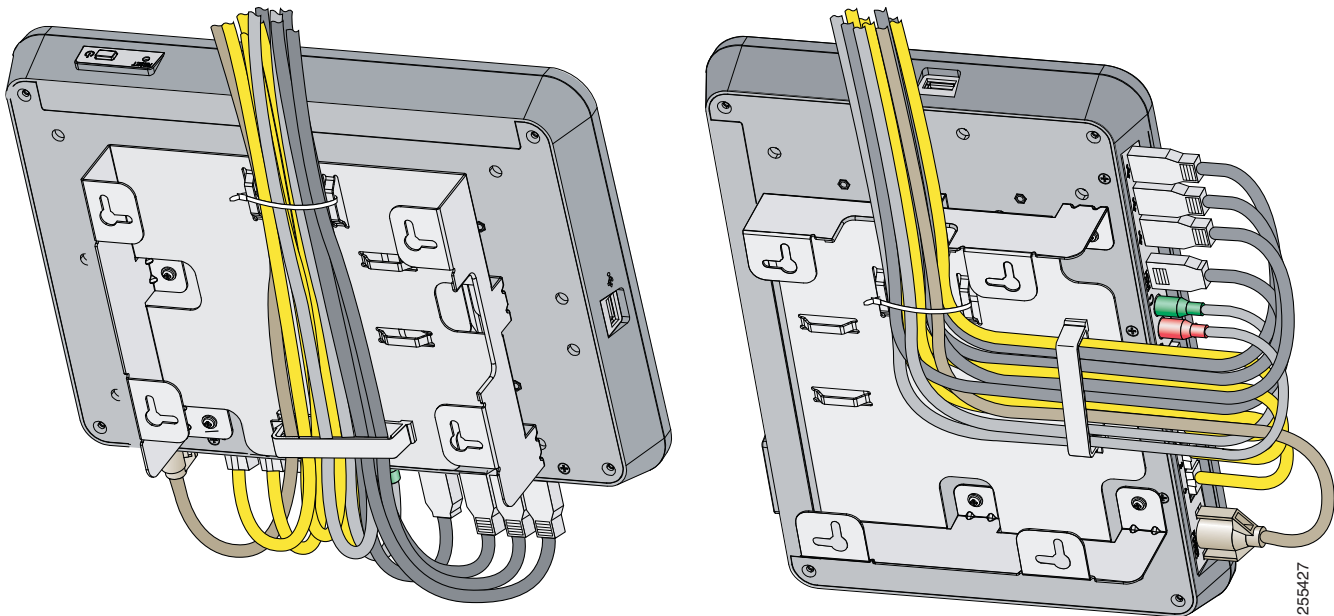
- Step 2** Connect all the cables that are necessary for your installation.
- Step 3** Slide the power cord retainer along the power cord, and snap it into the chassis (see [Figure 7](#)).

Figure 7 Installing the Power Cord Retainer



Use the supplied cable tie and built-in cable clip to secure the cables to the bracket (see [Figure 8](#)).

Figure 8 Routing the Cables – Wall-Mount



- Step 4** Determine where you want to mount the switch and its orientation. Make sure that the wall is smooth, flat, dry, and sturdy. Make sure that the location is within reach of an electrical outlet.
- Step 5** Mark the locations on the wall for the mounting screws. Make sure that the holes are the proper distance apart, depending on the switch orientation.



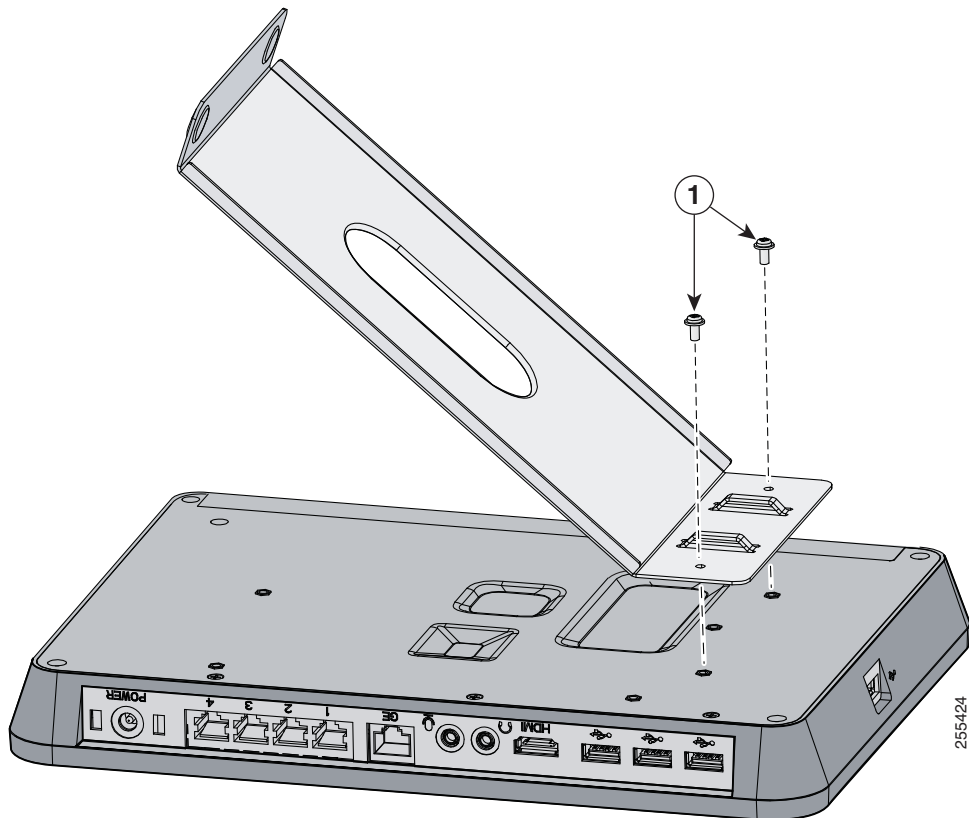
Note If you are mounting the switch on a wooden wall (not drywall), you can screw the tapping screws directly into the wall.

- Step 6** Drill four 0.25-inch (6-mm) holes that are at least 1 inch (25 mm) deep.
- Step 7** Insert the plastic drywall anchors into the holes.
- Step 8** Insert a tapping screw into each anchor, and leave 0.06 inches (1.5 mm) of the screw head exposed.
- Step 9** Place the bracket slots over the tapping screws, and slide the bracket down until the screws fit snugly into the slots.

Install the Switch on a Desk or Table

- Step 1** Use the two M3.0 x 6-mm Phillips pan head screws to attach the desktop bracket to the bottom of the switch (see [Figure 9](#)).

Figure 9 Attaching the Desktop Bracket

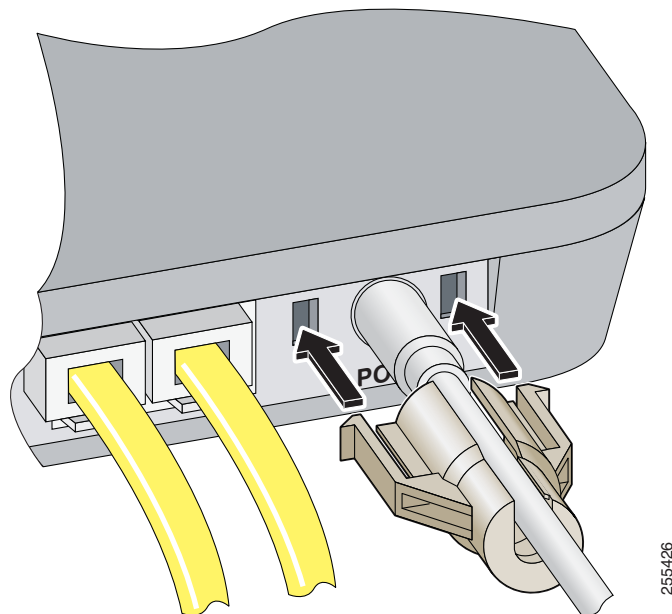


- | | |
|----------|-------------------------------------|
| 1 | M3.0 x 6mm Phillips pan head screws |
|----------|-------------------------------------|

- Step 2** Connect all the cables that are necessary for your installation.

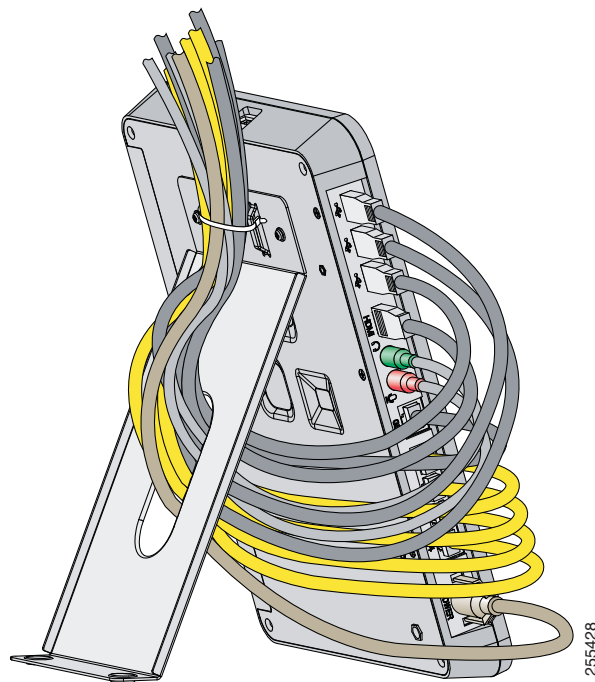
Step 3 Slide the power cord retainer along the power cord, and snap it into the chassis (see [Figure 7](#)).

Figure 10 *Installing the Power Cord Retainer*



Step 4 Use the supplied cable tie to secure the cables to the bracket (see [Figure 11](#)).

Figure 11 *Routing the Cables – Desktop*



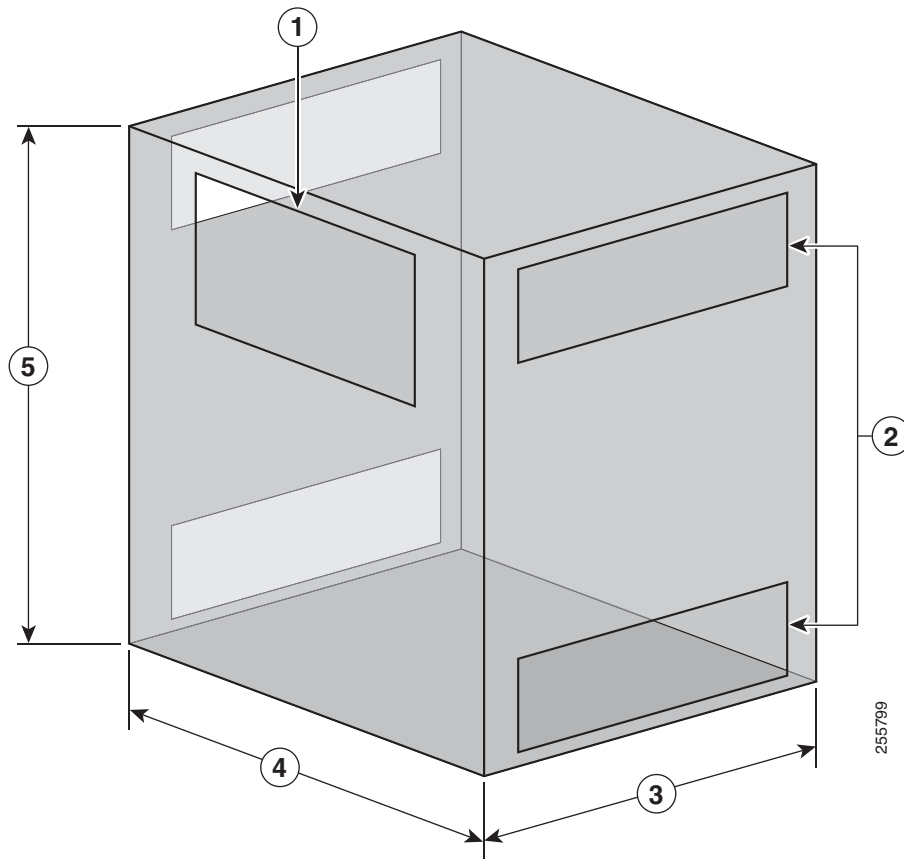
Step 5 Place the switch on a desk or table.

Installing the Switch in a Cabinet

You can install the switch in a ventilated cabinet. To ensure adequate ventilation, make sure that the cabinet meets the following specifications:

- Minimum dimensions (H x W x D): 19.69 x 19.69 x 15.75 inches (50 x 50 x 40 cm)
- Ventilation openings:
 - The front panel must have one ventilation opening measuring at least 11.81 x 5.91 inches (30 x 15 cm). The ratio of the ventilation openings should be greater than 30%.
 - Each side panel must have two ventilation openings (one along the top, and one along the bottom) measuring at least 12.60 x 3.54 inches (32 x 9 cm). The ratio of the ventilation openings should be greater than 30%.
- Switch placement:
 - For wall-mount placement, install the switch at the rear of the cabinet.
 - For desktop placement, place the switch at the center of the cabinet.

Figure 12 Cabinet Dimensions



1	11.81 x 5.91 inches (30 x 15 cm)	4	19.69 inches (50 cm)
2	12.60 x 3.54 inches (32 x 9 cm)	5	19.69 inches (50 cm)
3	15.75 inches (40 cm)		

Powering on the Switch

Connect the power cord to an electrical outlet. Press the Power button to power on the switch. See [Table 2 on page 5](#) for a description of the LED colors and their meanings.

Restoring the Factory Settings


Caution

Resetting the switch deletes the existing configuration.

- Step 1** Press and hold the Reset button for more than 5 seconds.
- Step 2** Press and hold the Power button until the switch shuts down.
- Step 3** Press the Power button to restart the switch.

Technical Specifications

Table 3 Cisco Edge 300 Series Switch Environmental and Physical Specifications

Environmental Ranges	
Operating temperature	23 to 104°F (–5 to 40°C)
Storage temperature	–13 to 158°F (–25 to 70°C)
Relative humidity	Operating and nonoperating: 10 to 90% (noncondensing)
Operating altitude	Up to 10,000 ft (3000 m)
Storage altitude	Up to 15,000 ft (4570 m)
Physical Specifications	
Weight (without bracket)	2.43 lb (1.1 kg)
Dimensions (H x W x D)	8.27 x 11.42 x 1.22 in. (21 x 29 x 3.1 cm)

Table 4 Regulatory Standards Compliance for the Cisco Edge 300 Series Switch

Specification	Description
Safety	IEC 60950-1 GB4943 CCC (China compulsory certification)
EMC	China EMC Certifications
Bluetooth	BQB
WIFI	802.11b/g/n Mark
Wireless	SRRC

Obtaining Documentation and Submitting a Service Request

For information on obtaining documentation, submitting a service request, and gathering additional information, see the monthly *What's New in Cisco Product Documentation*, which also lists all new and revised Cisco technical documentation, at:

<http://www.cisco.com/en/US/docs/general/whatsnew/whatsnew.html>

Subscribe to the *What's New in Cisco Product Documentation* as a Really Simple Syndication (RSS) feed and set content to be delivered directly to your desktop using a reader application. The RSS feeds are a free service and Cisco currently supports RSS Version 2.0.

For More Information

These documents provide complete information about the switch and are available from this Cisco.com site:

www.cisco.com/web/CN/products/products_netsol/switches/products/e300/index.html

- *Cisco Edge 300 Series Switch Software Configuration Guide*
- *Release Notes for the Cisco Edge 300 Series Switch*



Note Before installing, configuring, or upgrading the switch, refer to the release notes for the latest information.

Cisco and the Cisco Logo are trademarks of Cisco Systems, Inc. and/or its affiliates in the U.S. and other countries. A listing of Cisco's trademarks can be found at www.cisco.com/go/trademarks. Third party trademarks mentioned are the property of their respective owners. The use of the word partner does not imply a partnership relationship between Cisco and any other company. (1005R)

Any Internet Protocol (IP) addresses used in this document are not intended to be actual addresses. Any examples, command display output, and figures included in the document are shown for illustrative purposes only. Any use of actual IP addresses in illustrative content is unintentional and coincidental.

© 2011 Cisco Systems, Inc. All rights reserved.

FCC Statement

This equipment has been tested and found to comply with the limits for a Class A digital device, pursuant to part 15 of the FCC Rules. These limits are designed to provide reasonable protection against harmful interference when the equipment is operated in a commercial environment. This equipment generates, uses, and can radiate radio frequency energy and, if not installed and used in accordance with the instruction manual, may cause harmful interference to radio communications. Operation of this equipment in a residential area is likely to cause harmful interference in which case the user will be required to correct the interference at his own expense.

FCC Radiation Exposure Statement

This equipment complies with FCC RF radiation exposure limits set forth for an uncontrolled environment. This transmitter must not be co-located or operating in conjunction with any other antenna or transmitter. This equipment complies with Part 15 of the FCC Rules. Operation is subject to the following two conditions:

- (1) This device may not cause harmful interference, and
- (2) This device must accept any interference received, including interference that may cause undesired operation.

Caution!

The manufacturer is not responsible for any radio or TV interference caused by unauthorized modifications to this equipment. Such modifications could void the user authority to operate the equipment.