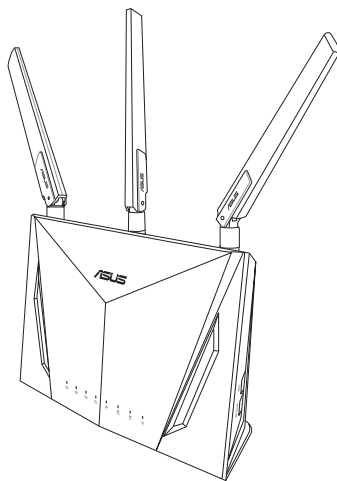


**ASUS**<sup>®</sup>

# RT-AC86U

## Wireless-AC2900 Dual band Gigabit Router



## Quick Start Guide

US12549 / First Edition / March 2017



## Table of contents

Package contents .....	3
A quick look at your router .....	3
Preparing your modem .....	4
Setting up your router .....	5
A. Wired connection .....	5
B. Wireless connection .....	6
Remembering your wireless router settings .....	7
FAQ .....	7
Networks Global Hotline Information .....	23

### This QSG contains these languages:

English  
 Français  
 Português  
 Español





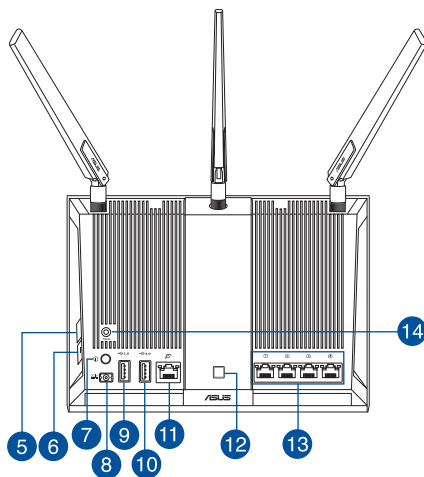
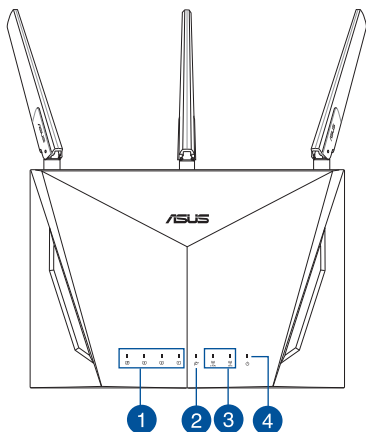
## Package contents

- RT-AC86U Wireless Router
- AC adapter
- Quick Start Guide
- 3 \* wireless antennas
- Network cable (RJ-45)



**NOTE:** If any of the items is damaged or missing, contact your retailer.

## A quick look at your router



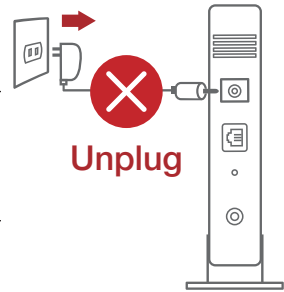
1. LAN LED	8. Power (DC-IN) port
2. WAN (Internet) LED	9. USB 2.0 port
3. 2.4GHz / 5GHz Wi-Fi LED	10. USB 3.0 port
4. Power LED	11. WAN (Internet) port
5. WPS button	12. LED On/Off button
6. Wi-Fi On/Off button	13. LAN ports
7. Power button	14. Reset button



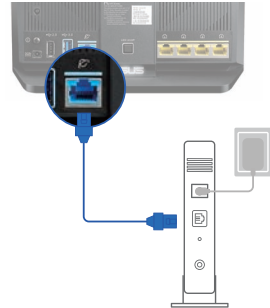
## Preparing your modem

1. **Unplug the power cable/DSL modem. If it has a battery backup, remove the battery.**

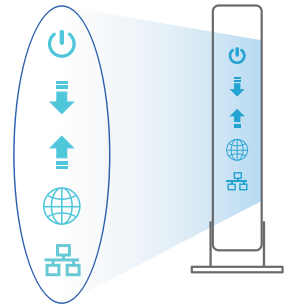
**NOTE:** If you are using DSL for Internet, you will need your username/password from your Internet Service Provider (ISP) to properly configure the router.



2. **Connect your modem to the router with the bundled network cable.**



3. **Power on your cable/DSL modem.**
4. **Check your cable/DSL modem LED lights to ensure the connection is active.**

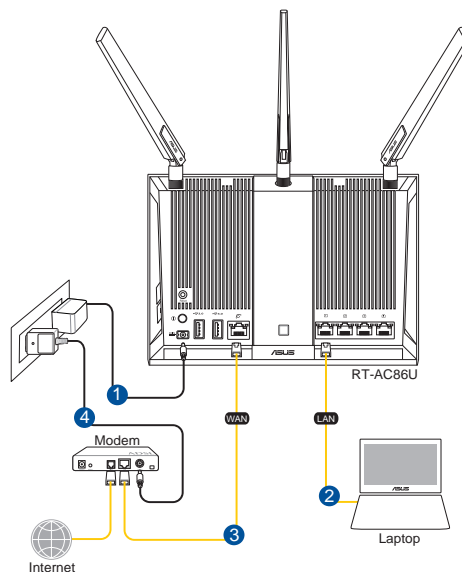


# Setting up your router

You can set up your router via wired or wireless connection.

## A. Wired connection

1. Plug your router into a power outlet and power it on. Connect the network cable from your computer to a LAN port on your router.



2. The web GUI launches automatically when you open a web browser. If it does not auto-launch, enter <http://router.asus.com>
3. Set up a password for your router to prevent unauthorized access.

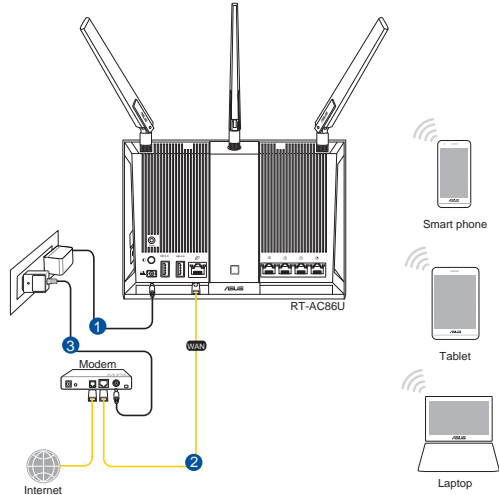
Login Information Setup

Change the router password to prevent unauthorized access to your ASUS wireless router.

Router Login Name	<input type="text" value="admin"/>
New Password	<input type="password"/>
Retype Password	<input type="password"/> <input type="checkbox"/> Show password

## B. Wireless connection

1. Plug your router into a power outlet and power it on.



2. Connect to the network name (SSID) shown on the product label on the back side of the router. For better network security, change to a unique SSID and assign a password.



2.4G Wi-Fi Name (SSID): ASUS\_XX\_2G

5G Wi-Fi Name (SSID): ASUS\_XX\_5G

- \* **XX** refers to the last two digits of 2.4GHz MAC address. You can find it on the label on the back of your router.



3. Once connected, the web GUI launches automatically when you open a web browser. If it does not auto-launch, enter <http://router.asus.com>.
4. Set up a password for your router to prevent unauthorized access.

**Login Information Setup**

Change the router password to prevent unauthorized access to your ASUS wireless router.

Router Login Name:

New Password:

Retype Password:   Show password

### Remembering your wireless router settings

- Remember your wireless settings as you complete the router setup.

Router Name:	Password:
2.4 GHz network SSID:	Password:
5GHz network SSID:	Password:

### FAQ

1. Where can I find more information about the wireless router?
  - Online FAQ site: <http://support.asus.com/faq>
  - Technical support site: <http://support.asus.com>
  - Customer hotline: refer to the Support Hotline section in this Quick Start Guide



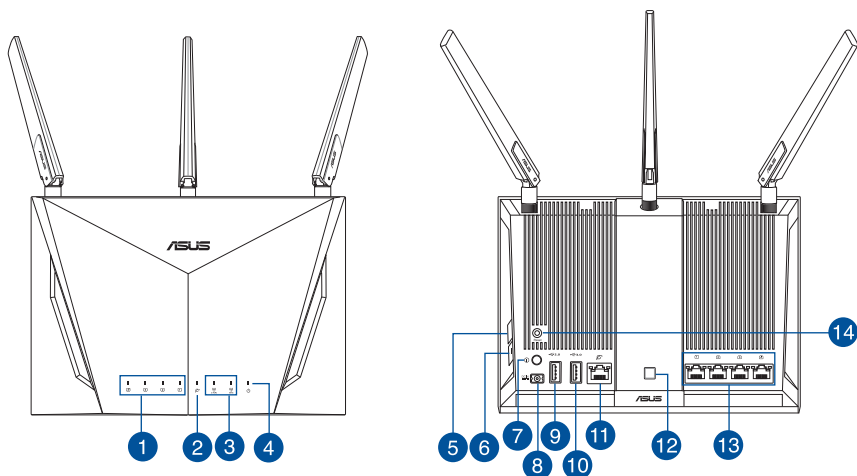
## Contenu de la boîte

- Routeur Wi-Fi RT-AC86U
- Adaptateur secteur
- Guide de démarrage rapide
- 3 \* Antennes Wi-Fi
- Câble réseau (RJ-45)



**REMARQUE :** Si l'un des éléments est endommagé ou manquant, veuillez contacter votre revendeur.

## Aperçu rapide de votre routeur



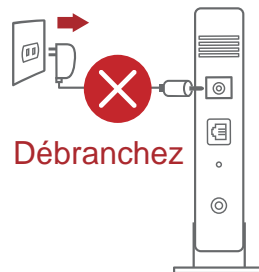
1. Voyant réseau local (LAN)	8. Prise d'alimentation (CC)
2. Voyant réseau étendu (WAN) (Internet)	9. Port USB 2.0
3. Voyant Wi-Fi de bande 2,4 GHz / 5 GHz	10. Port USB 3.0
4. Voyant d'alimentation	11. Port réseau étendu (WAN) (Internet)
5. Bouton WPS	12. Bouton voyant allumé/éteint
6. Bouton Wi-Fi activé/désactivé	13. Ports réseau local (LAN)
7. Bouton d'alimentation	14. Bouton de réinitialisation



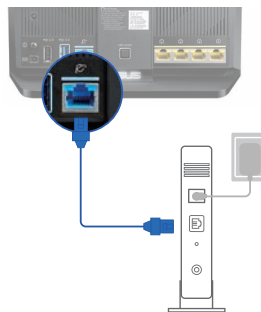
## Préparer votre modem

1. **Débranchez le câble d'alimentation / le modem DSL. Si votre modem possède une batterie de secours, retirez-la.**

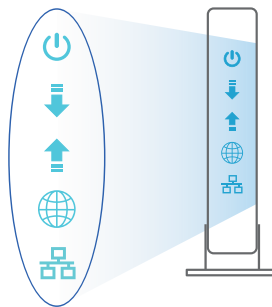
**REMARQUE :** Si vous utilisez le DSL pour accéder à Internet, vous aurez besoin du nom d'utilisateur et du mot de passe fournis par votre fournisseur d'accès internet pour configurer votre routeur.



2. **Raccordez votre modem au routeur à l'aide du câble réseau fourni.**



3. **Allumez votre modem câble/DSL.**
4. **Vérifiez les voyants lumineux de votre modem câble/DSL pour vous assurer que la connexion est établie.**

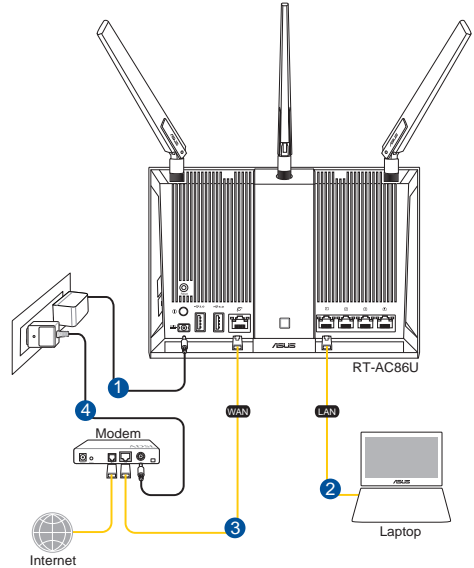


## Configurer votre routeur

Vous pouvez configurer votre routeur via une connexion filaire ou Wi-Fi.

### A. Connexion filaire

1. Branchez le routeur sur une prise électrique, puis allumez-le. Utilisez le câble réseau pour relier votre ordinateur au port réseau local (LAN) du routeur.



2. L'interface de gestion du routeur s'affiche automatiquement lors de l'ouverture de votre navigateur internet. Si ce n'est pas le cas, entrez <http://router.asus.com> dans la barre d'adresse.
3. Définissez un mot de passe afin d'éviter les accès non autorisés au routeur.

**Login Information Setup**

Change the router password to prevent unauthorized access to your ASUS wireless router.

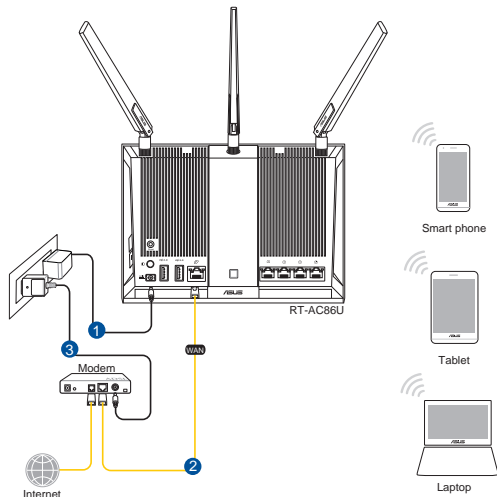
Router Login Name

New Password

Retype Password   Show password

## B. Connexion Wi-Fi

1. Branchez le routeur sur une prise électrique, puis allumez-le.



2. Connectez-vous au réseau dont le nom (SSID) est affiché sur l'étiquette du produit située à l'arrière du routeur. Pour garantir une plus grande sécurité, modifiez le nom du réseau et le mot de passe.



Nom du réseau Wi-Fi de 2,4 G (SSID) : ASUS\_XX\_2G

Nom du réseau Wi-Fi de 5 G (SSID) : ASUS\_XX\_5G

\* **XX** correspond aux deux derniers chiffres de l'adresse MAC 2,4 GHz. Vous pouvez les trouver sur l'étiquette située à l'arrière de votre routeur.

3. **Une fois connecté, l'interface de gestion du routeur s'affiche automatiquement lors de l'ouverture de votre navigateur internet. Si ce n'est pas le cas, entrez <http://router.asus.com> dans la barre d'adresse.**
4. **Définissez un mot de passe afin d'éviter les accès non autorisés au routeur.**

**Login Information Setup**

Change the router password to prevent unauthorized access to your ASUS wireless router.

Router Login Name

New Password

Retype Password   Show password

**Se rappeler des paramètres de votre routeur Wi-Fi**

- **Notez les paramètres Wi-Fi choisis lors de la configuration de votre routeur.**

Nom du routeur :	Mot de passe :
Nom du réseau de 2,4 GHz (SSID) :	Mot de passe :
Nom du réseau de 5 GHz (SSID) :	Mot de passe :

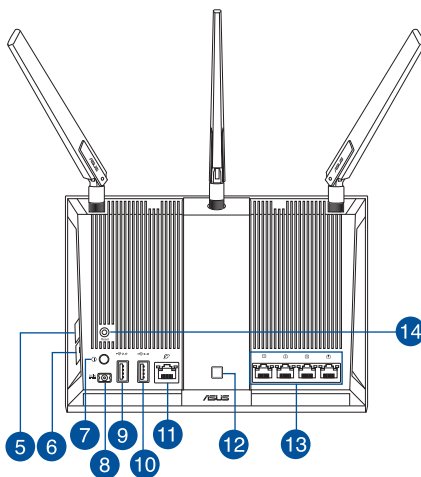
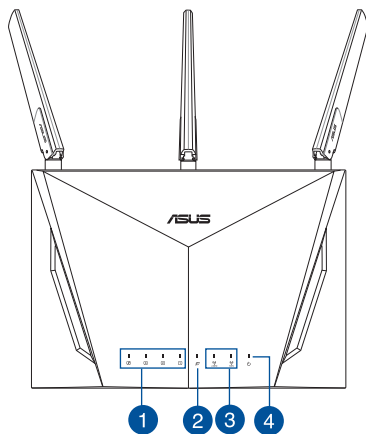
## Conteúdo da embalagem

- ✓ RT-AC86U
- ✓ Transformador
- ✓ Guia de consulta rápida
- ✓ 3 x antenas sem fios
- ✓ Cabo de rede (RJ-45)



**NOTA:** Caso algum item esteja danificado ou em falta, contacte o seu revendedor.

## Visão geral do seu router

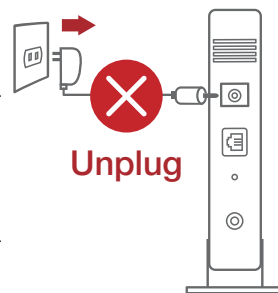


1. LED da LAN	8. Porta de alimentação (Entrada DC)
2. Portas WAN (Internet)	9. Portas USB 2.0
3. LED 2.4GHz / 5GHz	10. Portas USB 3.0
4. LED de Alimentação	11. Portas WAN (Internet)
5. Botão WPS	12. Botão Ligar/Desligar LED
6. Botão Ligar/Desligar Wi-Fi	13. Portas da LAN
7. Botão Alimentação	14. Vypínaè

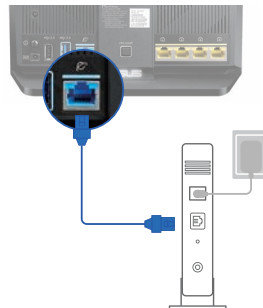
## Preparar o modem

1. **Desligue o modem por cabo/DSL. Se o mesmo tiver uma bateria de reserva, remova-a.**

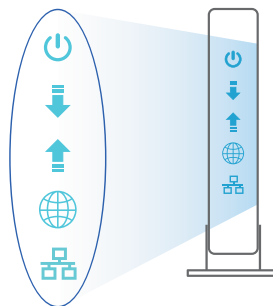
**NOTE:** Se estiver a utilizar uma ligação DSL para aceder à Internet, precisará dos dados de nome de utilizador/palavra-passe fornecidos pelo seu fornecedor de serviços de Internet (ISP) para configurar corretamente o seu router.



2. **Ligue o seu modem ao router com o cabo de rede fornecido.**



3. **Ligue o seu modem por cabo/DSL.**
4. **Verifique as luzes LED do modem por cabo/DSL para se certificar que a ligação está ativa.**

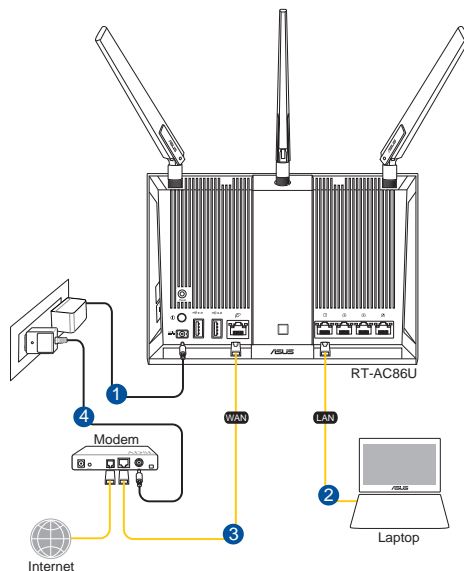


## Configurar o router

É possível configurar o router através de uma ligação com ou sem fios.

### A. Ligação com fios

1. Ligue o router a uma tomada elétrica e prima o botão de energia. Ligue o cabo de rede do computador a uma porta LAN do router.



2. A interface web abre automaticamente quando abrir um navegador web. Se não abrir automaticamente, introduza <http://router.asus.com>
3. Configure uma palavra-passe para o seu router para impedir o acesso não autorizado.

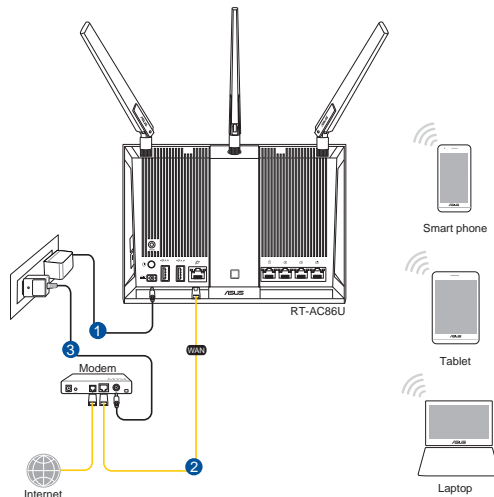
Login Information Setup

Change the router password to prevent unauthorized access to your ASUS wireless router.

Router Login Name	<input type="text" value="admin"/>
New Password	<input type="password"/>
Retype Password	<input type="password"/> <input type="checkbox"/> Show password

## B. Ligação sem fios

1. Ligue o router a uma tomada elétrica e prima o botão de energia.



2. Connect to the network name(SSID) shown on the product label on the back side of the router. For better network security, change to a unique SSID and assign a password.



Nome da rede Wi-Fi 2,4G (SSID): ASUS\_XX\_2G

Nome da rede Wi-Fi 5G (SSID): ASUS\_XX\_5G

\* **XX** refere-se aos dois últimos dígitos do endereço MAC 2,4GHz. Pode encontrar esse endereço na etiqueta na traseira do router.



3. Após a ligação, a interface web irá abrir automaticamente quando abrir um navegador web. Se não abrir automaticamente, introduza <http://router.asus.com>.
4. Configure uma palavra-passe para o seu router para impedir o acesso não autorizado.

Login Information Setup

Change the router password to prevent unauthorized access to your ASUS wireless router.

Router Login Name:

New Password:

Retype Password:   Show password

## Memorizar as definições do seu router sem fios

- **Memorize as suas definições de ligação sem fios quando terminar a configuração do router.**

Nome do router::	palavra-passe:
SSID da rede 2,4 GHz:	palavra-passe:
SSID da rede 5GHz:	palavra-passe:

## Perguntas Frequentes

1. Onde posso encontrar mais informações acerca do router sem fios?
  - Site de Perguntas Frequentes Online: <http://support.asus.com/faq>
  - Site de Apoio Técnico: <http://support.asus.com>
  - Linha de Apoio ao Cliente: Consulte a Linha de Apoio ao Cliente no Guia suplementar

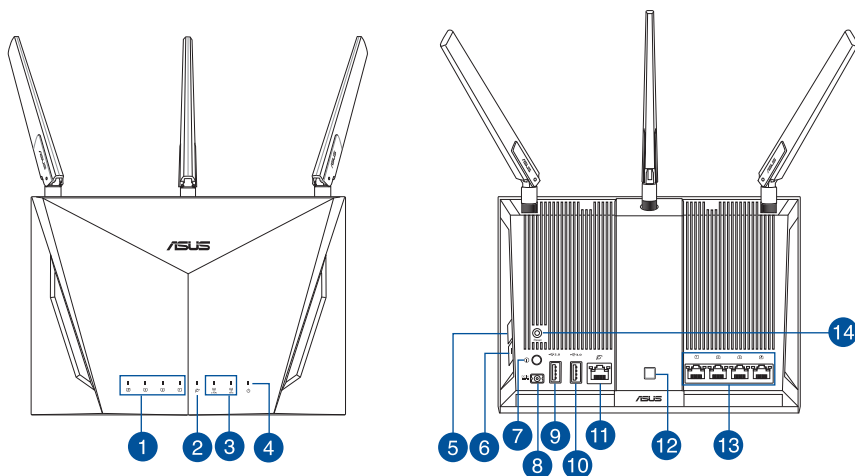
## Contenido del paquete

- RT-AC86U
- AC adapter
- Guía de inicio rápido
- 3\*antenas inalámbricas
- Cable de red



**NOTA:** Si alguno de los artículos falta o se encuentra dañado, póngase en contacto con su distribuidor.

## Un vistazo rápido a su RT-AC86U

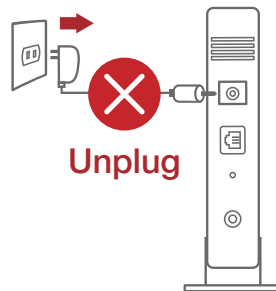


1. LED LAN	8. Puerto de alimentación (DC-IN)
2. WAN LED (Internet)	9. USB 2.0 Puerto
3. LED de 2.4 GHz / 5GHz	10. USB 3.0 Puerto
4. LED de alimentación	11. WAN (Internet) puerto
5. Botón WPS	12. Botón Activar/Desactivar LED
6. Botón Activar/Desactivar Wi-Fi	13. LAN puertos
7. Vypínaè	14. Botón Restablecer

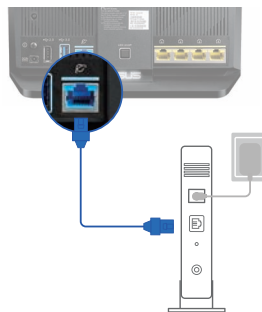
## Preparar el módem

1. **Desenchufe la alimentación del módem de cable o DSL. Si tiene una batería de reserva, quítela.**

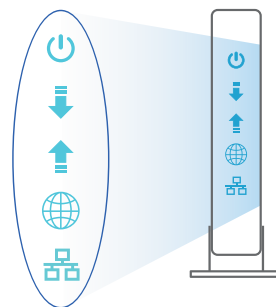
**NOTA:** Si utiliza DSL para Internet, necesitará el nombre de usuario y la contraseña de su proveedor de servicio de Internet (ISP) para configurar adecuadamente el router.



2. **Conecte el módem al router con el cable de red proporcionado.**



3. **Encienda su módem de cable o DSL.**
4. **Compruebe las luces de los LED del módem de cable o DLS para asegurarse de que la conexión está activa.**

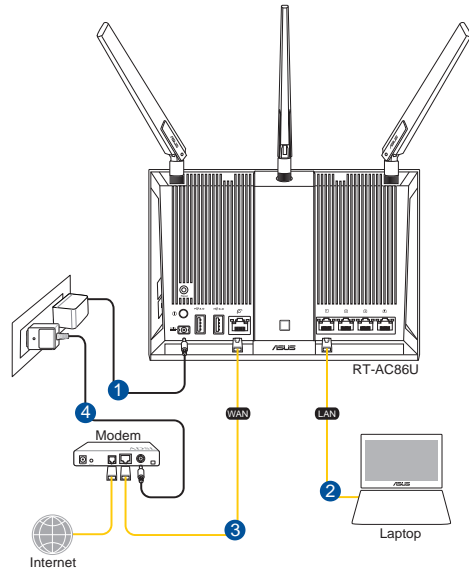


## Configurar el router

Puede configurar el router a través de la conexión cableada o inalámbrica.

### A. Conexión cableada

1. Enchufe el router a una toma de corriente eléctrica y enciéndalo. Conecte el cable de red desde el equipo a un puerto LAN del router.



2. La GUI Web se inicia automáticamente cuando abre un explorador Web. Si no se inicia automáticamente, escriba <http://router.asus.com>.
3. Configure una contraseña para el router para evitar el acceso no autorizado.

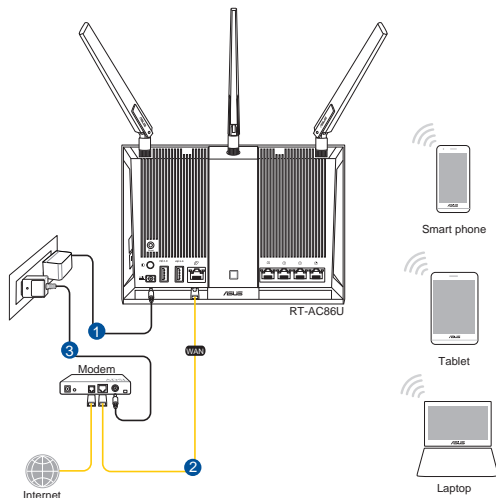
Login Information Setup

Change the router password to prevent unauthorized access to your ASUS wireless router.

Router Login Name	<input type="text" value="admin"/>
New Password	<input type="password"/>
Retype Password	<input type="password"/> <input type="checkbox"/> Show password

## B. Conexión inalámbrica

1. Enchufe el router a una toma de corriente eléctrica y enciéndalo.



2. Conéctese al nombre de red (SSID) mostrado en la etiqueta del producto que se encuentra en la parte posterior del router. Para mejorar la seguridad de la red, cambie a un SSID único y asigne una contraseña.



Nombre Wi-Fi 2,4 GHz (SSID): ASUS\_XX\_2G

Nombre Wi-Fi 5GHz (SSID): ASUS\_XX\_5G

- \* **XX** y hace referencia a los dos últimos dígitos de la dirección MAC de 2,4 GHz. Puede encontrarlo en la etiqueta situada en la parte posterior del router.

3. La GUI Web se inicia automáticamente cuando abre un explorador Web. Si no se inicia automáticamente, escriba <http://router.asus.com>.
4. Configure una contraseña para el router para evitar el acceso no autorizado.

**Login Information Setup**

Change the router password to prevent unauthorized access to your ASUS wireless router.

Router Login Name:

New Password:

Retype Password:   Show password

## Recordar la configuración del router inalámbrico

- Recuerde la configuración inalámbrica cuando complete la configuración del router.

Nombre del router:	Contraseña:
SSID de red de 2,4 GHz:	Contraseña:
SSID de red de 5 GHz:	Contraseña:

## FAQ

1. ¿De qué otros recursos dispongo para obtener más información acerca del router inalámbrico?
  - El sitio web de preguntas más frecuentes: <http://support.asus.com/faq>
  - El sitio web de soporte técnico: <http://support.asus.com/>
  - Línea Directa: Consulte el número de la línea telefónica de soporte técnico en esta Guía de inicio rápido.

## Networks Global Hotline Information

Region	Country	Hotline Number	Service Hours	
Europe	Cyprus	800-92491	09:00-13:00 ; 14:00-18:00 Mon-Fri	
	France	0033-170949400	09:00-18:00 Mon-Fri	
	Germany		0049-1805010920	
			0049-1805010923 (component support )	09:00-18:00 Mon-Fri 10:00-17:00 Mon-Fri
			0049-2102959911 ( Fax )	
	Hungary	0036-15054561	09:00-17:30 Mon-Fri	
	Italy	199-400089	09:00-13:00 ; 14:00-18:00 Mon-Fri	
	Greece	00800-44142044	09:00-13:00 ; 14:00-18:00 Mon-Fri	
	Austria	0043-820240513	09:00-18:00 Mon-Fri	
	Netherlands/ Luxembourg	0031-591570290	09:00-17:00 Mon-Fri	
	Belgium	0032-78150231	09:00-17:00 Mon-Fri	
	Norway	0047-2316-2682	09:00-18:00 Mon-Fri	
	Sweden	+46-858769407	09:00-18:00 Mon-Fri	
	Finland	00358-969379690	10:00-19:00 Mon-Fri	
	Denmark	0045-38322943	09:00-18:00 Mon-Fri	
	Poland	0048-225718040	08:30-17:30 Mon-Fri	
	Spain	0034-902889688	09:00-18:00 Mon-Fri	
	Portugal	00351-707500310	09:00-18:00 Mon-Fri	
	Slovak Republic	00421-232162621	08:00-17:00 Mon-Fri	
	Czech Republic	00420-596766888	08:00-17:00 Mon-Fri	
	Switzerland-German	0041-848111010	09:00-18:00 Mon-Fri	
	Switzerland-French	0041-848111014	09:00-18:00 Mon-Fri	
	Switzerland-Italian	0041-848111012	09:00-18:00 Mon-Fri	
United Kingdom	0044-1442265548	09:00-17:00 Mon-Fri		
Ireland	0035-31890719918	09:00-17:00 Mon-Fri		
Russia and CIS	008-800-100-ASUS	09:00-18:00 Mon-Fri		
Ukraine	0038-0445457727	09:00-18:00 Mon-Fri		



Region	Country	Hotline Numbers	Service Hours
Asia-Pacific	Australia	1300-278788	09:00-18:00 Mon-Fri
	New Zealand	0800-278788	09:00-18:00 Mon-Fri
	Japan	0800-1232787	09:00-18:00 Mon-Fri
		0081-570783886 (Non-Toll Free)	09:00-17:00 Sat-Sun
		0081-570783886 (Non-Toll Free)	09:00-18:00 Mon-Fri 09:00-17:00 Sat-Sun
	Korea	0082-215666868	09:30-17:00 Mon-Fri
	Thailand	0066-24011717	09:00-18:00 Mon-Fri
		1800-8525201	09:00-18:00 Mon-Fri
	Singapore	0065-64157917	11:00-19:00 Mon-Fri
		0065-67203835	11:00-19:00 Mon-Fri
		(Repair Status Only)	11:00-13:00 Sat
	Malaysia	0060-320535077	10:00-19:00 Mon-Fri
	Philippine	1800-18550163	09:00-18:00 Mon-Fri
	India	1800-2090365	09:00-18:00 Mon-Sat
India(WL/NW)	1800-2090365	09:00-21:00 Mon-Sun	
Indonesia	0062-2129495000	09:30-17:00 Mon-Fri	
	500128 (Local Only)	9:30 – 12:00 Sat	
Vietnam	1900-555581	08:00-12:00 13:30-17:30 Mon-Sat	
	Hong Kong	00852-35824770	10:00-19:00 Mon-Sat
Americas	USA	1-812-282-2787	8:30-12:00 EST Mon-Fri
	Canada	1-812-282-2787	9:00-18:00 EST Sat-Sun
	Mexico	001-8008367847	08:00-20:00 CST Mon-Fri
			08:00-15:00 CST Sat







Region	Country	Hotline Numbers	Service Hours
<b>Middle East + Africa</b>	Egypt	800-2787349	09:00-18:00 Sun-Thu
	Saudi Arabia	800-1212787	09:00-18:00 Sat-Wed
	UAE	00971-42958941	09:00-18:00 Sun-Thu
	Turkey	0090-2165243000	09:00-18:00 Mon-Fri
	South Africa	0861-278772	08:00-17:00 Mon-Fri
	Israel	*6557/00972-39142800 *9770/00972-35598555	08:00-17:00 Sun-Thu 08:30-17:30 Sun-Thu
<b>Balkan Countries</b>	Romania	0040-213301786	09:00-18:30 Mon-Fri
	Bosnia Herzegovina	00387-33773163	09:00-17:00 Mon-Fri
	Bulgaria	00359-70014411 00359-29889170	09:30-18:30 Mon-Fri 09:30-18:00 Mon-Fri
	Croatia	00385-16401111	09:00-17:00 Mon-Fri
	Montenegro	00382-20608251	09:00-17:00 Mon-Fri
	Serbia	00381-112070677	09:00-17:00 Mon-Fri
	Slovenia	00368-59045400 00368-59045401	08:00-16:00 Mon-Fri
<b>Baltic Countries</b>	Estonia	00372-6671796	09:00-18:00 Mon-Fri
	Latvia	00371-67408838	09:00-18:00 Mon-Fri
	Lithuania-Kaunas	00370-37329000	09:00-18:00 Mon-Fri
	Lithuania-Vilnius	00370-522101160	09:00-18:00 Mon-Fri

## NOTES:

- UK support e-mail: **[network\\_support\\_uk@asus.com](mailto:network_support_uk@asus.com)**
- For more information, visit the ASUS support site at: **<http://support.asus.com>**





## ASUS Recycling/Takeback Services

ASUS recycling and takeback programs come from our commitment to the highest standards for protecting our environment. We believe in providing solutions for you to be able to responsibly recycle our products, batteries, other components, as well as the packaging materials. Please go to <http://csr.asus.com/english/Takeback.htm> for the detailed recycling information in different regions.

## REACH

Complying with the REACH (Registration, Evaluation, Authorisation, and Restriction of Chemicals) regulatory framework, we published the chemical substances in our products at ASUS REACH website at <http://csr.asus.com/english/REACH.htm>

## Federal Communications Commission Statement

This device complies with Part 15 of the FCC Rules. Operation is subject to the following two conditions:

- This device may not cause harmful interference.
- This device must accept any interference received, including interference that may cause undesired operation.

This equipment has been tested and found to comply with the limits for a class B digital device, pursuant to part 15 of the FCC Rules. These limits are designed to provide reasonable protection against harmful interference in a residential installation.

This equipment generates, uses and can radiate radio frequency energy and, if not installed and used in accordance with the instructions, may cause harmful interference to radio communications. However, there is no guarantee that interference will not occur in a particular installation. If this equipment does cause harmful interference to radio or television reception, which can be determined by turning the equipment off and on, the user is encouraged to try to correct the interference by one or more of the following measures:

- Reorient or relocate the receiving antenna.
- Increase the separation between the equipment and receiver.
- Connect the equipment into an outlet on a circuit different from that to which the receiver is connected.
- Consult the dealer or an experienced radio/TV technician for help.



---

**WARNING!** Any changes or modifications not expressly approved by the party responsible for compliance could void the user's authority to operate the equipment.

---





## Prohibition of Co-location

This device and its antenna(s) must not be co-located or operating in conjunction with any other antenna or transmitter.

### IMPORTANT NOTE:

**Radiation Exposure Statement:** This equipment complies with FCC radiation exposure limits set forth for an uncontrolled environment. End users must follow the specific operating instructions for satisfying RF exposure compliance. To maintain compliance with FCC exposure compliance requirement, please follow operation instruction as documented in this manual. This equipment should be installed and operated with minimum distance 20cm between the radiator and your body.

## Declaration of Conformity for R&TTE directive 1999/5/EC

Essential requirements – Article 3

Protection requirements for health and safety – Article 3.1a

Testing for electric safety according to EN 60950-1 has been conducted. These are considered relevant and sufficient.

Protection requirements for electromagnetic compatibility – Article 3.1b

Testing for electromagnetic compatibility according to EN 301 489-1 and EN 301 489-17 has been conducted. These are considered relevant and sufficient.

Effective use of the radio spectrum – Article 3.2

Testing for radio test suites according to EN 300 328- 2 has been conducted. These are considered relevant and sufficient.

## Declaration of Conformity for Ecodesign directive 2009/125/EC

Testing for eco-design requirements according to (EC) No 1275/2008 and (EU) No 801/2013 has been conducted. When the device is in Networked Standby Mode, its I/O and network interface are in sleep mode and may not work properly. To wake up the device, press the Wi-Fi on/off, LED on/off, reset, or WPS button.

## CE Mark Warning

This is a Class B product, in a domestic environment, this product may cause radio interference, in which case the user may be required to take adequate measures. Operation Channels: CH1~11 for N. America; Ch1~13 for Japan; CH1~13 for Europe (ETSI)

This equipment may be operated in AT, BE, CY, CZ, DK, EE, FI, FR, DE, GR, HU, IE, IT, LU, MT, NL, PL, PT, SK, SL, ES, SE, GB, IS, LI, NO, CH, BG, RO, RT.

## Canada, Industry Canada (IC) Notices

This Class B digital apparatus complies with Canadian ICES-003 and RSS-210.

Operation is subject to the following two conditions: (1) this device may not cause interference, and (2) this device must accept any interference, including interference that may cause undesired operation of the device.





## Radio Frequency (RF) Exposure Information

The radiated output power of the ASUS Wireless Device is below the Industry Canada (IC) radio frequency exposure limits. The ASUS Wireless Device should be used in such a manner such that the potential for human contact during normal operation is minimized.

This device has been evaluated for and shown compliant with the IC Specific Absorption Rate ("SAR") limits when installed in specific host products operated in portable exposure conditions (antennas are less than 20 centimeters of a person's body).

This device has been certified for use in Canada. Status of the listing in the Industry Canada's REL (Radio Equipment List) can be found at the following web address:

<http://www.ic.gc.ca/app/sitt/reltel/srch/nwRdSrch.do?lang=eng>

Additional Canadian information on RF exposure also can be found at the following web:

<http://www.ic.gc.ca/eic/site/smt-gst.nsf/eng/sf08792.html>

## Canada, avis d'Industry Canada (IC)

Cet appareil numérique de classe B est conforme aux normes canadiennes ICES-003 et RSS-210.

Son fonctionnement est soumis aux deux conditions suivantes : (1) cet appareil ne doit pas causer d'interférence et (2) cet appareil doit accepter toute interférence, notamment les interférences qui peuvent affecter son fonctionnement.

## Informations concernant l'exposition aux fréquences radio (RF)

La puissance de sortie émise par l'appareil de sans fil ASUS est inférieure à la limite d'exposition aux fréquences radio d'Industry Canada (IC). Utilisez l'appareil de sans fil ASUS de façon à minimiser les contacts humains lors du fonctionnement normal.

Ce périphérique a été évalué et démontré conforme aux limites SAR (Spécific Absorption Rate – Taux d'absorption spécifique) d'IC lorsqu'il est installé dans des produits hôtes particuliers qui fonctionnent dans des conditions d'exposition à des appareils portables (les antennes se situent à moins de 20 centimètres du corps d'une personne).

Ce périphérique est homologué pour l'utilisation au Canada. Pour consulter l'entrée correspondant à l'appareil dans la liste d'équipement radio (REL - Radio Equipment List) d'Industry Canada rendez-vous sur:

<http://www.ic.gc.ca/app/sitt/reltel/srch/nwRdSrch.do?lang=eng>

Pour des informations supplémentaires concernant l'exposition aux RF au Canada rendez-vous sur :

<http://www.ic.gc.ca/eic/site/smt-gst.nsf/eng/sf08792.html>





## NCC 警語

經型式認證合格之低功率射頻電機，非經許可，公司、商號或使用者均不得擅自變更頻率、加大功率或變更原設計之特性及功能。低功率射頻電機之使用不得影響飛航安全及干擾合法通信；經發現有干擾現象時，應立即停用，並改善至無干擾時方得繼續使用。前項合法通信，指依電信法規定作業之無線電通信。低功率射頻電機須忍受合法通信或工業、科學及醫療用電波輻射性電機設備之干擾。

