

DrayTek

VigorAP 810

802.11n Access Point



Quick Start Guide

V1.0

VigorAP 810

802.11n Access Point

Quick Start Guide

Version: 1.0

(For future update, please visit DrayTek web site)

Date: Dec. 13, 2013

Warranty

We warrant to the original end user (purchaser) that the router will be free from any defects in workmanship or materials for a period of two (2) years from the date of purchase from the dealer. Please keep your purchase receipt in a safe place as it serves as proof of date of purchase. During the warranty period, and upon proof of purchase, should the product have indications of failure due to faulty workmanship and/or materials, we will, at our discretion, repair or replace the defective products or components, without charge for either parts or labor, to whatever extent we deem necessary to restore the product to proper operating condition. Any replacement will consist of a new or re-manufactured functionally equivalent product of equal value, and will be offered solely at our discretion. This warranty will not apply if the product is modified, misused, tampered with, damaged by an act of God, or subjected to abnormal working conditions. The warranty does not cover the bundled or licensed software of other vendors. Defects which do not significantly affect the usability of the product will not be covered by the warranty. We reserve the right to revise the manual and online documentation and to make changes from time to time in the contents hereof without obligation to notify any person of such revision or changes.

European Community Declarations

Manufacturer: DrayTek Corp.
Address: No. 26, Fu Shing Road, HuKou Township, HsinChu Industrial Park, Hsin-Chu, Taiwan 303
Product: VigorAP 810

DrayTek Corp. declares that VigorAP 810 is in compliance with the following essential requirements and other relevant provisions of R&TTE Directive 1999/5/EEC.

The product conforms to the requirements of Electro-Magnetic Compatibility (EMC) Directive 2004/108/EC by complying with the requirements set forth in EN55022/Class B and EN55024/Class B.

The product conforms to the requirements of Low Voltage (LVD) Directive 2006/95/EC by complying with the requirements set forth in EN60950-1.

This product is designed for 2.4GHz WLAN network throughout the EC region and Switzerland with restrictions in France.

Federal Communication Commission Interference Statement

This equipment has been tested and found to comply with the limits for a Class B digital device, pursuant to Part 15 of the FCC Rules. These limits are designed to provide reasonable protection against harmful interference in a residential installation. This equipment generates, uses and can radiate radio frequency energy and, if not installed and used in accordance with the instructions, may cause harmful interference to radio communications. However, there is no guarantee that interference will not occur in a particular installation. If this equipment does cause harmful interference to radio or television reception, which can be determined by turning the equipment off and on, the user is encouraged to try to correct the interference by one of the following measures:

- Reorient or relocate the receiving antenna.
- Increase the separation between the equipment and receiver.
- Connect the equipment into an outlet on a circuit different from that to which the receiver is connected.
- Consult the dealer or an experienced radio/TV technician for help.

This device complies with Part 15 of the FCC Rules. Operation is subject to the following two conditions:

- (1) This device may not cause harmful interference, and
- (2) This device may accept any interference received, including interference that may cause undesired operation.

FCC Exposure notice

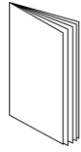
This equipment complies with RFCC radiation exposure limits set forth for an uncontrolled environment.

This equipment should be installed and operated with minimum 20cm between the radiator and your body.

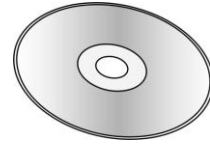


1

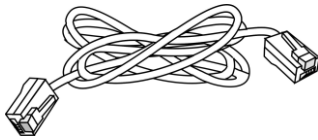
Package Content



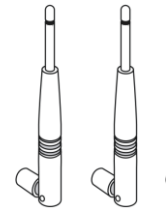
Quick Start Guide



CD

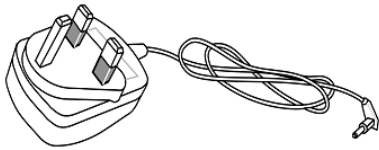


RJ-45 Cable (Ethernet)

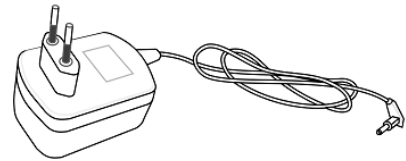


Antenna

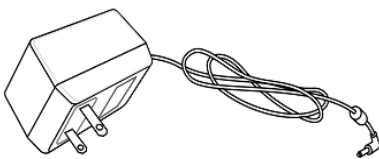
The type of the power adapter depends on the country that the router will be installed:



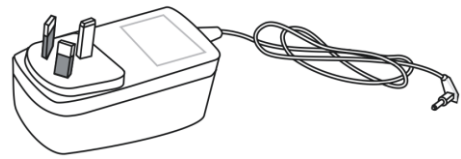
UK-type power adapter



EU-type power adapter



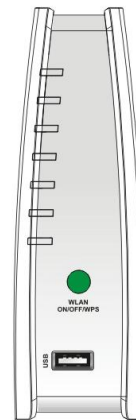
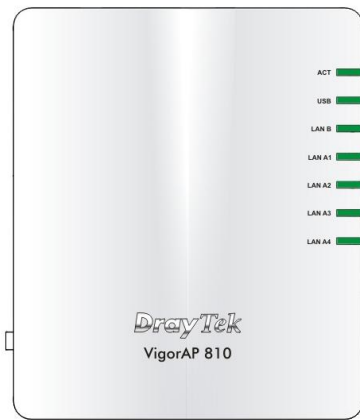
USA/Taiwan-type power adapter



AU/NZ-type Power Adapter

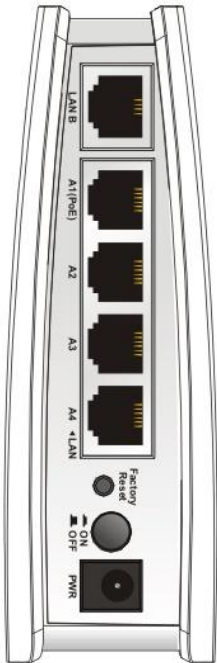
2




Descriptions of Components



LED	Status	Explanation
ACT	Off	The system is not ready or is failed.
	Blinking	The system is ready and can work normally.
USB	On	A USB device is connected and active.
	Blinking	The data is transmitting.
LAN B	On	A normal connection is through its corresponding port.
	Off	LAN is disconnected.
	Blinking	Data is transmitting (sending/receiving).
LAN A1 - A4	On	A normal connection is through its corresponding port.
	Off	LAN is disconnected.
	Blinking	Data is transmitting (sending/receiving).
WLAN (Green LED) on WLAN button	On	Press the button and release it within 2 seconds. When the wireless function is ready, the green LED will be on.
	Off	Press the button and release it within 2 seconds to turn off the WLAN function. When the wireless function is not ready, the LED will be off.
	Blinking (Green)	Data is transmitting (sending/receiving).
WPS (Orange LED) on WLAN button	Blinking (Orange)	When WPS function is enabled by web user interface, press this button for more than 2 seconds to wait for client's device making network connection through WPS. When the orange LED blinks with 1 second cycle for 2 minutes, it means that the AP is waiting for wireless

	client to connect with it.
USB	Connector for a printer.



Interface	Description
LAN B	Connector for xDSL / Cable modem or router.
LAN A1 (PoE) - A4	Connector for xDSL / Cable modem or router.
	Restore the default settings. Usage: Turn on the router. Press the button and keep for more than 10 seconds. Then the router will restart with the factory default configuration.
	ON/OFF: Power switch.
	PWR: Connector for a power adapter.

3

Installing Your Router

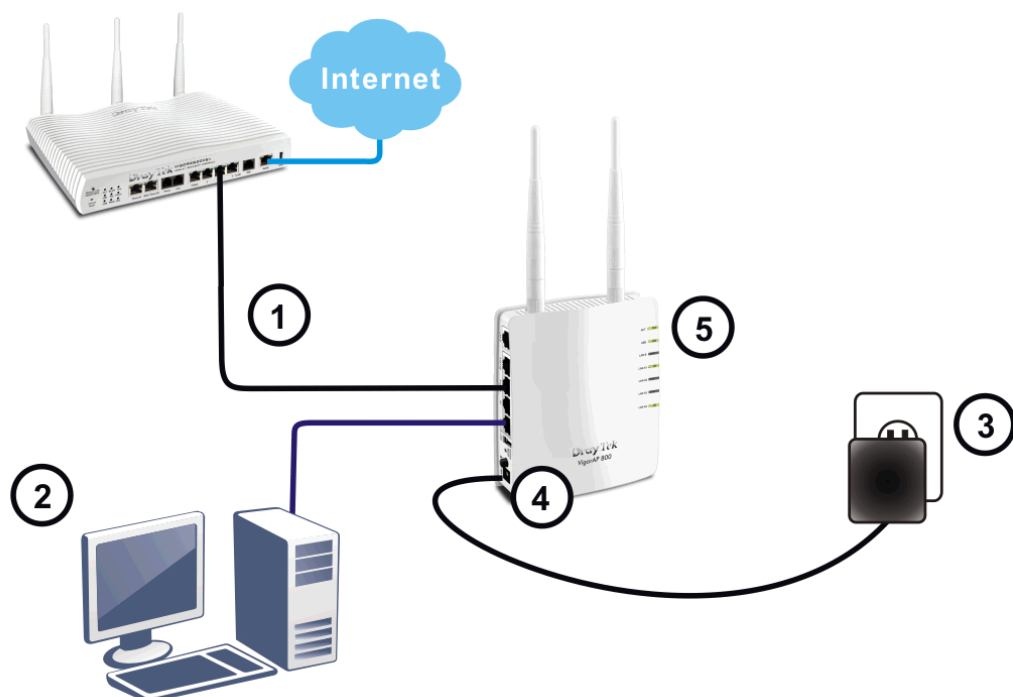
This section will guide you to install the AP through hardware connection and configure the settings through web browser.

Before starting to configure the router, you have to connect your devices correctly.

1. Connect VigorAP 810 to ADSL modem, router, or switch/hub in your network through the **LAN A** port of the access point by Ethernet cable.

***Note:** You can also connect VigorAP 810 to a Vigor router via wireless connection. For detailed information, refer to VigorAP 810 User's Guide.*

2. Connect a computer to other available LAN A port. Make sure the subnet IP address of the PC is the same as VigorAP 810 management IP, e.g., **192.168.1.X**.
3. Connect the A/C power adapter to the wall socket, and then connect it to the PWR connector of the access point.
4. Power on VigorAP 810.
5. Check all LEDs on the front panel. **ACT** LED should be steadily on, **LAN** LEDs should be on if the access point is correctly connected to the ADSL modem, router or switch/hub.



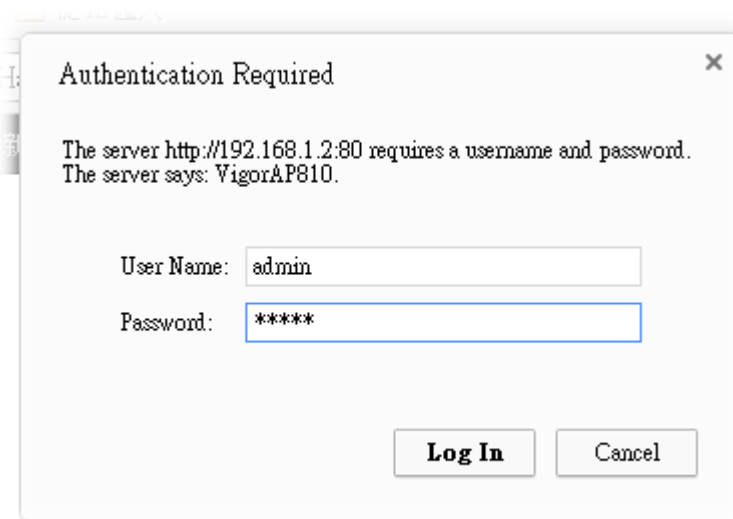
4

Configuring Web Pages

The **Operation Mode** is designed for you to easily set up your router for Internet access.

Note: Such VigorAP is treated as DHCP client. So, if it is connected as the figure on the previous page, the default IP will be changed and assigned by the DHCP server of Vigor router.

1. Make sure your PC connects to the router correctly.
2. Open a web browser on your PC and type **http://192.168.1.2** (for stand-alone installation). A pop-up window will open to ask for username and password. Please type “admin/admin” on Username/Password and click **Login**.



3. The **Main Screen** will pop up. Click **Quick Start Wizard**.

DrayTek VigorAP 810

System Status

Model : VigorAP 810
Firmware Version : 1.1.0RC3
Build Date/Time : r3670 Fri Nov 29 15:08:23 CST 2013
System Uptime : 0d 00:14:56
Operation Mode : AP

System	
Memory Total	: 62316 kB
Memory Left	: 38416 kB
Cached Memory	: 15152 kB / 62316 kB

LAN-A	
MAC Address	: 00:76:20:48:28:10
IP Address	: 192.168.1.2
IP Mask	: 255.255.255.0

Wireless	
MAC Address	: 00:76:20:48:28:10
SSID	: DrayTek-LAN-A
Channel	: 11

LAN-B	
MAC Address	: 00:76:20:48:28:10
IP Address	: 192.168.2.2
IP Mask	: 255.255.255.0

Admin mode
AP Mode

- The first page is set for 2.4G wireless connection. There are several operation modes for you to choose. Simply click any one of modes. In this example, choose **AP** and click **Next**.

Quick Start Wizard >> 2.4G Wireless

Operation Mode : **AP**

Wireless Mode :

Main SSID :

Channel : 2462MHz (Channel 11)

Extension Channel : 2442MHz (Channel 7)

Station List : Display

Enable 2 Subnet (Simulate 2 APs)

Next > Cancel

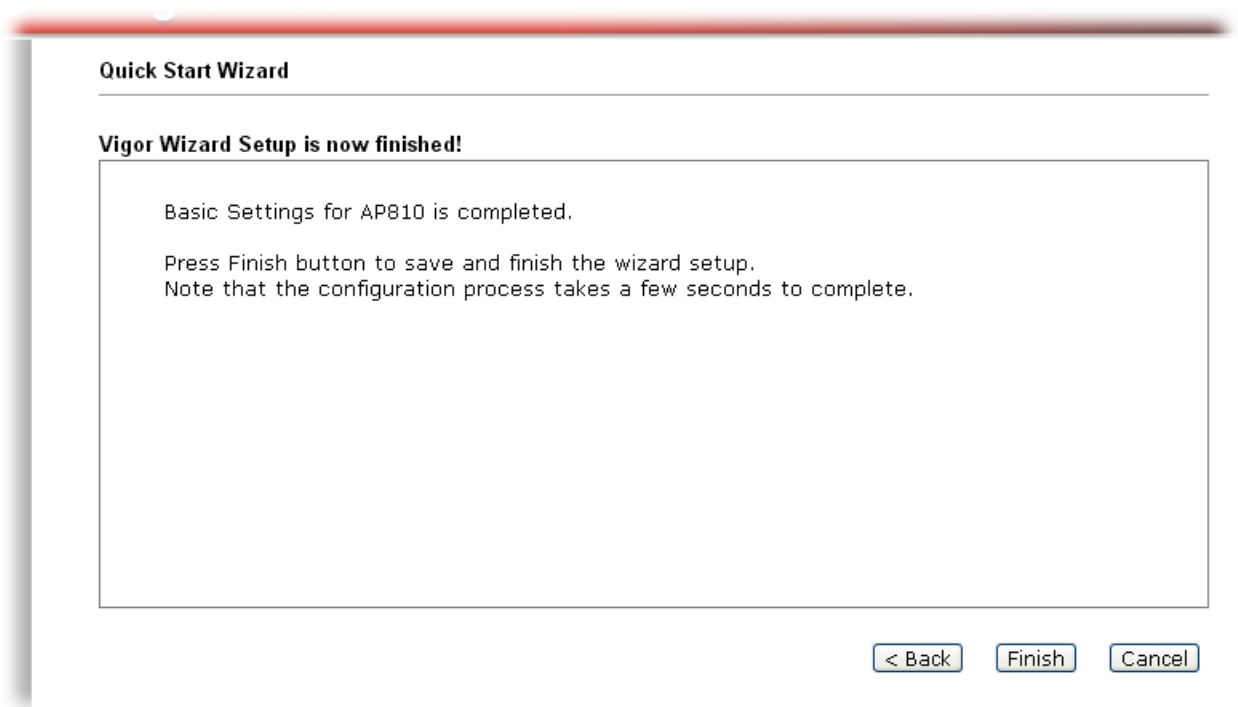
- For the SSID configuration, choose the mode you want and type related information for client authentication. Then, click **Next**.

Quick Start Wizard >> 2.4G Security

SSID 1	SSID 2	SSID 3	SSID 4
SSID			DrayTek-LAN-A
Wireless Security Settings			
Mode			Mixed(WPA+WPA2)/PSK
WPA Algorithms			<input type="radio"/> TKIP <input type="radio"/> AES <input checked="" type="radio"/> TKIP/AES
Pass Phrase		
Key Renewal Interval			3600 seconds
PMK Cache Period			10 minutes
Pre-Authentication			<input checked="" type="radio"/> Disable <input type="radio"/> Enable

< Back Next > Cancel

6. In the next page, click **Finish**. The system will make a connection automatically.



Open **Online Status** to see the result of network connection. Now, VigorAP 810 is ready for any station to connect for accessing Internet.

Contacting Your Dealer

If the router still cannot work correctly after trying many efforts, please contact your dealer for further help right away. For any questions, please feel free to send e-mail to support@draytek.com.

Safety Instructions

- Read the installation guide thoroughly before you set up the router.
- The router is a complicated electronic unit that may be repaired only by authorized and qualified personnel. Do not try to open or repair the router yourself.
- Do not place the router in a damp or humid place, e.g. a bathroom.
- The router should be used in a sheltered area, within a temperature range of +5 to +40 Celsius.
- Do not expose the router to direct sunlight or other heat sources. The housing and electronic components may be damaged by direct sunlight or heat sources.
- Do not deploy the cable for LAN connection outdoor to prevent electronic shock hazards.
- Keep the package out of reach of children.
- When you want to dispose of the router, please follow local regulations on conservation of the environment.