

# NETGEAR<sup>®</sup>

---

Connect with Innovation<sup>™</sup>

## NeoTV Streaming Player (NTV300) Installation Guide



© 2012 NETGEAR, Inc. All rights reserved.

No part of this publication may be reproduced, transmitted, transcribed, stored in a retrieval system, or translated into any language in any form or by any means without the written permission of NETGEAR, Inc.

## **Technical Support**

Thank you for choosing NETGEAR. To register your product, get the latest product updates, or get support online, visit us at <http://support.netgear.com>.

Phone (US only): 1-888-NETGEAR

Phone (Other Countries):

See [http://support.netgear.com/app/answers/detail/a\\_id/984](http://support.netgear.com/app/answers/detail/a_id/984).

## **Trademarks**

NETGEAR, the NETGEAR logo, and Connect with Innovation are trademarks and/or registered trademarks of NETGEAR, Inc. and/or its subsidiaries in the United States and/or other countries. Information is subject to change without notice. Other brand and product names are registered trademarks or trademarks of their respective holders. © 2012 NETGEAR, Inc. All rights reserved.

HDMI, the HDMI Logo, and HighDefinition Multimedia Interface are trademarks or registered trademarks of HDMI Licensing LLC in the United States and other countries.

Manufactured under license from Dolby laboratories. Dolby and the double-D symbol are trademarks of Dolby Laboratories.

## **Statement of Conditions**

In the interest of improving internal design, operational function, and/or reliability, NETGEAR reserves the right to make changes to the products described in this document without notice. NETGEAR does not assume any liability that may occur due to the use or application of the product(s) or circuit layout(s) described herein.

# What's Included in the Box



**NeoTV Streaming Player**



**AAA batteries  
(x2)**



**Remote control**



**Power adapter**



**Installation guide**

## Front and Rear Views

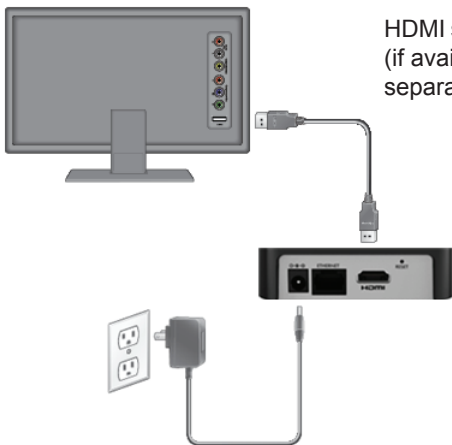


## What You Need to Use Your NeoTV Player

- TV with HDMI port
- HDMI cable
- Broadband Internet connection
- A wireless or wired network
- Device with Internet browser for service activation

## Connect to the TV

1. Make sure that your TV is on and set to display the correct video input.
2. Connect an HDMI cable (sold separately) to the HDMI port on your player and to the **HDMI IN** port on your TV.



HDMI supports 5.1 surround sound (if available). You do not need a separate audio cable.

3. Connect the power adapter to your player, and plug it into an electrical outlet.

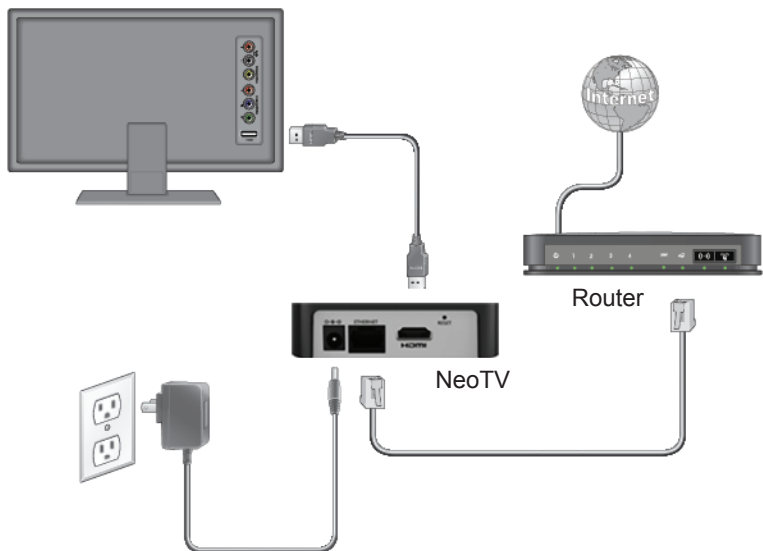
## Connect to Your Home Network

To use your player, you need to connect it to your home network with either a wireless or a wired connection. After you get your network ready, the onscreen guided setup helps you connect your player to your network.

**IMPORTANT:** Do not place anything on top of your NeoTV player. Placing objects on top of your player can interfere with the wireless signal or cause the player to overheat.

## Wired Connection

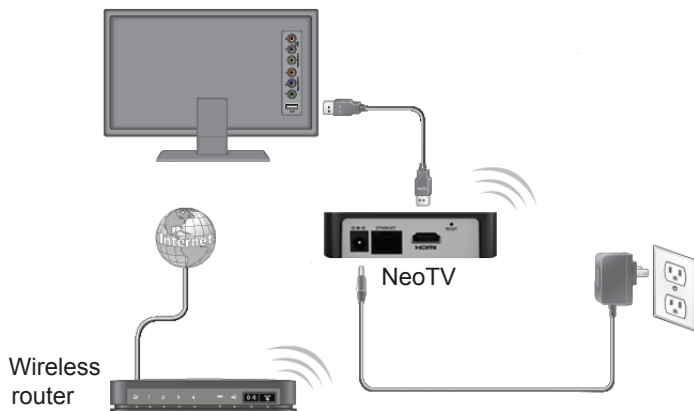
Use an Ethernet cable (sold separately) to connect your player to a LAN port on your router.



## Wireless Connection

1. If you are using a wireless connection, place your player within range of your wireless network. For best wireless reception, avoid enclosing your player in a cabinet.

To connect wirelessly, you can use Wi-Fi Protected Setup (WPS), or you can select your network and enter its password using the onscreen setup guide.



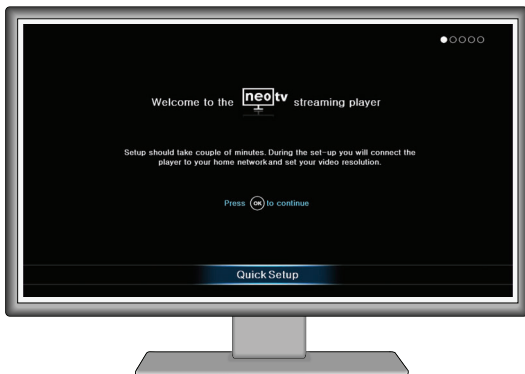
2. If you do not receive a strong signal during the onscreen setup, rotate your player or move it closer to your router.



# Onscreen Guided Setup

On your TV:

- Use the remote control to follow the NeoTV onscreen setup instructions, which include setting the output resolution to the TV, and the standby timing, connecting to a network, and checking for the latest NeoTV software update.
- Your player might download software updates or restart during setup.
- Once you complete setup, select a channel icon (such as Netflix or Pandora) to enjoy the content.



# Remote Control



# Remote Control App

NeoTV Remote app turns your iPhone or Android phone into a NeoTV Streaming Player remote control.



## *To Install the Remote Control App*

1. Using your iPhone or Android smartphone, navigate to the Apple AppStore or Android Market, and search for NeoTV Remote. You can use the following QR codes to speed up this process:



**Apple App Store**



**Android Market**

2. Install the app on your phone.
3. Make sure that the phone is connected to the same WiFi network (SSID) as your NeoTV Streaming Player.
4. Launch the app, and it searches for your device and connects.

# Technical Support

Thank you for selecting NETGEAR products.

After installing your device, locate the serial number on the label of your product and use it to register your product at [www.NETGEAR.com/register](http://www.NETGEAR.com/register). Registration is required before you can use our telephone support service. Registration through our website is strongly recommended.

Go to <http://support.netgear.com> for product updates and web support.

GPL might be included in this product; to view the GPL license agreement, go to <ftp://downloads.netgear.com/files/GPLnotice.pdf>.

***Warning:*** *DO NOT stack equipment, or place equipment in tight spaces, in drawers, or on carpets. Make sure your equipment is surrounded by at least 2 inches of air space.*

## **Federal Communication Commission Interference Statement**

This device complies with Part 15 of the FCC Rules. Operation is subject to the following two conditions: (1) This device may not cause harmful interference, and (2) this device must accept any interference received, including interference that may cause undesired operation.

This equipment has been tested and found to comply with the limits for a Class B digital device, pursuant to Part 15 of the FCC Rules. These limits are designed to provide reasonable protection against harmful interference in a residential installation. This equipment generates, uses and can radiate radio frequency energy and, if not installed and used in accordance with the instructions, may cause harmful interference to radio communications. However, there is no guarantee that interference will not occur in a particular installation.

If this equipment does cause harmful interference to radio or television reception, which can be determined by turning the equipment off and on, the user is encouraged to try to correct the interference by one of the following measures:

- Reorient or relocate the receiving antenna.
- Increase the separation between the equipment and receiver.
- Connect the equipment into an outlet on a circuit different from that to which the receiver is connected.
- Consult the dealer or an experienced radio/TV technician for help.

FCC Caution: Any changes or modifications not expressly approved by the party responsible for compliance could void the user's authority to operate this equipment.

This transmitter must not be co-located or operating in conjunction with any other antenna or transmitter.

## **Radiation Exposure Statement:**

This equipment complies with FCC radiation exposure limits set forth for an uncontrolled environment. This equipment should be installed and operated with minimum distance 20cm between the radiator & your body.

Note: The country code selection is for non-US model only and is not available to all US model. Per FCC regulation, all WiFi product marketed in US must fixed to US operation channels only.









**NETGEAR, Inc.**  
350 East Plumeria Drive  
San Jose, CA 95134 USA



201-15390-01

July 2012