



An affordable and reliable all-in-One ADSL2+ Router with Wireless-N technology for your home & office

The BiPAC 7700N is an economic ADSL2+ Router that offers users expanded wireless coverage and speedy Internet connection. With an integrated 802.11n Access Point, the BiPAC 7700N can automatically adopt an optimal connection to deliver smooth, constant signal reception even if obstacles are present. Robust Firewall security is featured to protect Internet access against hacker attacks. The Quality of Service and VLAN enables intelligent steaming for HD video or multiple applications such as music downloads, online gaming, video streaming and file sharing simultaneously.

Optimal Wireless speeds and coverage

Utilizing the benefits of Wireless N technology, BiPAC 7700N performs faster file transfers and farther coverage enabling greater wireless signals across your home. If the network requires wider coverage, the built-in Wireless Distribution System (WDS) repeater function allows users to expand the wireless network without the need for any external wires or cables. Upgrading your home network to Wireless N provides an excellent solution for experiencing better wireless performance while sharing a broadband Internet connection with multiple computers over a secure wireless network.

Quality transmission enhances Internet experience

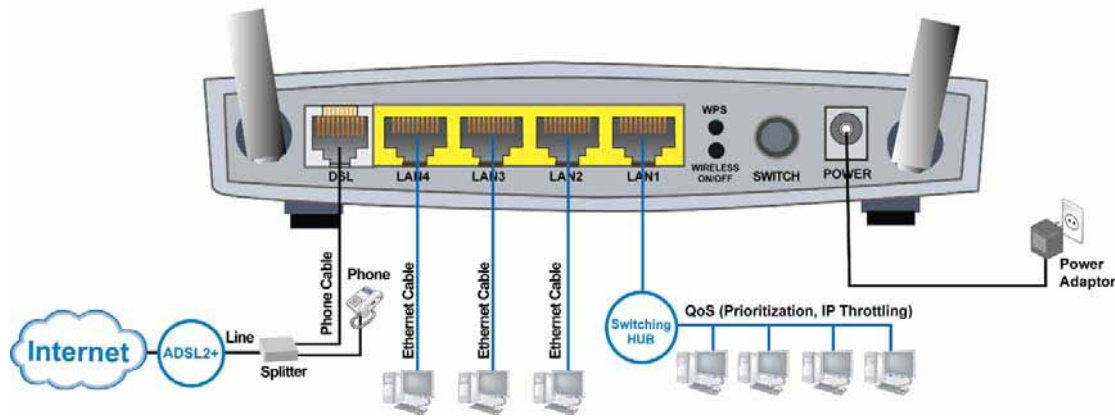
Quality of Service (QoS) gives full control over outgoing data traffic. Priority can be assigned by the router to ensure that important transmissions like gaming packets, VoIP calls or IPTV / streaming content passes through the router at lightning speed, even when there is heavy Internet traffic. The VLAN support is also capable of establishing reliable high-speed transmissions for wide bandwidth applications such as IPTV, VOD, or online gaming without consuming bandwidth.

High-speed Internet access

The BiPAC 7700N is compliant with worldwide ADSL standards, and supports download rates of up to 12 / 24Mbps using ADSL2 / 2+, 8Mbps using ADSL and an upload rate of up to 1Mbps. The integrated Annex M standard supports ADSL2 / 2+ for higher uploads by doubling the upload data rate. The 4-port Ethernet Switch incorporated into the BiPAC 7700N enables users to connect to multiple computers or wired-Ethernet devices easily and enjoy blistering LAN transmission for multimedia applications such as interactive gaming, IPTV video streaming and real-time audio.

Ideal for
Home and SOHO
User

- Supports Multiple LAN segment for multiple network application
- 4-port 10 / 100Mbps Ethernet switch integrated
- High-speed Internet Access via ADSL2 / 2+; Backward compatible with ADSL
- 802.11n Wireless Access Point with Wi-Fi Protected Access (WPA-PSK/ WPA2-PSK), Wi-Fi Protected Setup (WPS), and Wired Equivalent Privacy (WEP) support
- Wireless speed up to 300Mbps
- Quality of Service Control for traffic prioritization management
- SOHO Firewall security with DoS Prevention and Packet Filtering
- Universal Plug and Play (UPnP) compliance
- Dynamic Domain Name System (DDNS)
- Available Syslog
- Supports IPTV Application^{*2}



Features & Specifications

ADSL Compliance

- Compliant with ADSL Standard
 - Full-rate ANSI T1.413 Issue 2
 - G.dmt (ITU G.992.1)
 - G.lite (ITU G.992.2)
 - G.hs (ITU G.994.1)
- Compliant with ADSL2 Standard
 - G.dmt.bis (ITU G.992.3)
 - ADSL2 Annex M (ITU G.992.3 Annex M)
- Compliant with ADSL2+ Standard
 - G.dmt.bis plus (ITU G.992.5)
 - ADSL2+ Annex M (ITU G.992.5 Annex M)

Network Protocols and Features

- Universal Plug and Play (UPnP) Compliant
- Dynamic Domain Name System (DDNS)
- Virtual Server and DMZ
- SNTP, DNS relay and IGMP proxy
- IGMP snooping for video service
- Management based-on IP protocol, port number and address

Firewall

- Built-in NAT Firewall
- Stateful Packet Inspection (SPI)
- Prevents DoS attacks including Land Attack, Ping of Death, etc.
- Remote access control for web base access
- Packet Filtering - port, source IP address, destination IP address, MAC address
- URL Filtering
- Password protection for system management
- VPN pass-through

Quality of Service Control

- Supports the DiffServ approach
- Traffic prioritization management based-on IP protocol, port number and address

ATM and PPP Protocols

- ATM Adaptation Layer Type 5 (AAL5)
- Classical IP over ATM (IPoA) (RFC 2225 / RFC 1577)
- IP over Ethernet (RFC1483/RFC2684)
- VC and LLC based multiplexing
- PPP over Ethernet (PPPoE)
- PPP over ATM (RFC 2364)
- MAC Encapsulated Routing (RFC 1483 MER)
- OAM F4 / F5

IPTV Applications^{*2}

- Virtual LAN (VLAN)
- Quality of Service (QoS)
- IGMP Snooping & IGMP Proxy
- VLAN MUX support

Wireless LAN

- Compliant with IEEE 802.11n, 802.11g and 802.11b standards
- 2.4 GHz - 2.484 GHz frequency range
- Up to 300Mbps wireless operation rate
- 64 / 128 bits WEP supported for encryption
- WPS (Wi-Fi Protected Setup) for easy setup
- Wireless Security with WPA-PSK / WPA2-PSK support
- WDS repeater function support
- 802.1x radius supported
- Web-based GUI and hardware push button for WLAN on/off switch control

Management

- Web-based GUI for remote and local management
- Firmware upgrades and configuration data upload and download via web-based GUI
- Embedded Telnet server for remote and local management
- Available Syslog
- Supports DHCP server / client / relay
- TR-069 supports remote management
- SNMP v1/v2 supports remote and local management

Hardware Specifications

Physical Interface

- WLAN: 2 x 2dbi fixed antennas
- DSL: ADSL port
- Ethernet: 4-port 10 / 100Mbps auto-crossover (MDI / MDI-X) Switch
- Factory default reset button
- WPS push button
- WLAN On/Off push button
- Power jack
- Power switch

Physical Specifications

- Dimensions : 5.91" x 4.33" x 0.87" (150mm x 110mm x 22mm)

Power Requirements

- Input: 12V DC, 1A

Operating Environment

- Operating temperature: 0 - 40°C
- Storage temperature: -20 - 70°C
- Humidity: 20 - 95% non-condensing

Models & Supported Standards

- **BiPAC 7700N A:** Annex A and Annex M (Annex A and Annex M: ADSL over POTS)

Notes:

1. The router may require firmware modification for certain ADSL2 / 2+ / Annex M DSLAMs.
2. IPTV application may require subscribing to IPTV services from a Telco / ISP.
3. Only upon request for Telco / ISP tender projects.
4. Specifications in this datasheet are subject to change without prior notice.

v.011211